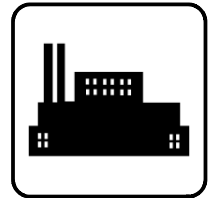


Service Parts

Engine



Engine Model:

KG6208 6.2L

Generator Models:

**KG40- KG125
48RCLB and 60RCLA**

KOHLER®

TP-7098 4/20c

Table of Contents

Introduction	3
Numbering System Significance	3
Illustrations	3
How to Find Part Numbers	3
Engine	4
Block	20
Crank and Piston	22
Camshaft and Lifters	24
Timing Gear and Cover	26
Lubrication System	27
Head and Valves	30
Intake Manifold	32
Water Pump	33
Valve Covers	34
Ignition System	35

Introduction

This manual lists service replacement parts for Kohler KG6208 engines.

Information in this publication represents data available at the time of print. Kohler Co. reserves the right to change this publication and the products represented without notice and without any obligation or liability whatsoever.

This manual includes the following main sections:

Table of Contents. Lists the sections of the manual.

Introduction (and other information sections). Contains introductory material about part numbers, illustrations, and hardware.

Group Parts Lists. List the part numbers of parts in the groups.

Numbering System Significance

This manual uses the following numbering systems:

Model. The product identification number located on the nameplate. Engines break down into groups.

Group Number. A unique number representing a parts group needed to assemble a generator set function. For example, Group 5 is the Crankshaft Assembly group.

Part Number. The part number identifies an individual assembly, subassembly, component, or accessory kit.

Illustrations

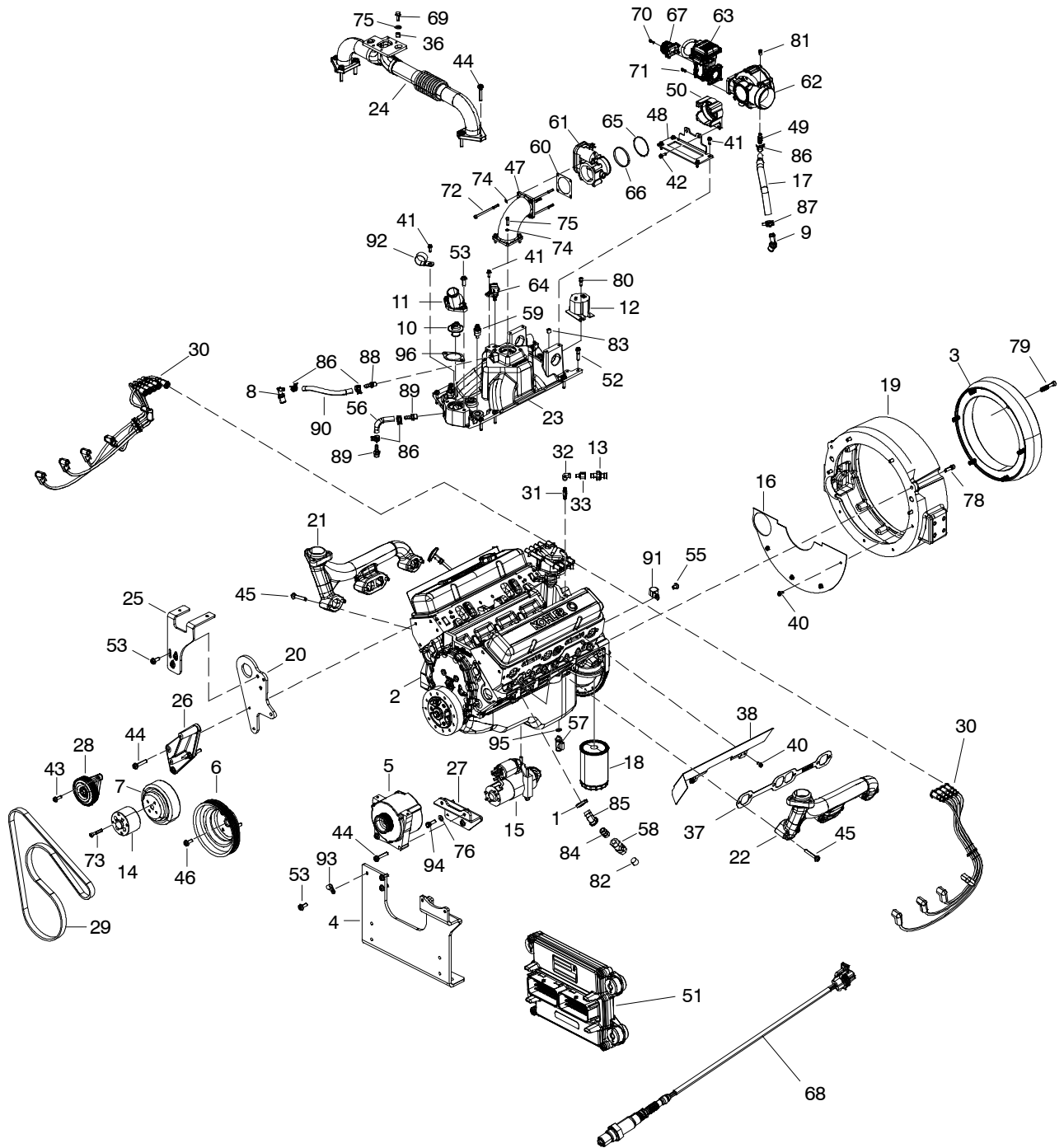
Illustrations (or exploded-view drawings) best representing the widest range of variations accompany most groups in this manual. Illustrations do not depict all details and may not show all parts. Do not substitute illustrations for assembly or disassembly.

How to Find Part Numbers

Use the following steps to locate a service replacement part.

1. Locate the nameplate to **identify the model number**.
2. **Page forward to locate the group** or find the appropriate page in the Table of Contents.
3. **Find the part on the illustration** and note the item number of the part or **find the part description in the parts list**.

1: Engine, KG40-KG60



Items not shown: 34, 35, 39, 54

GM102281-D

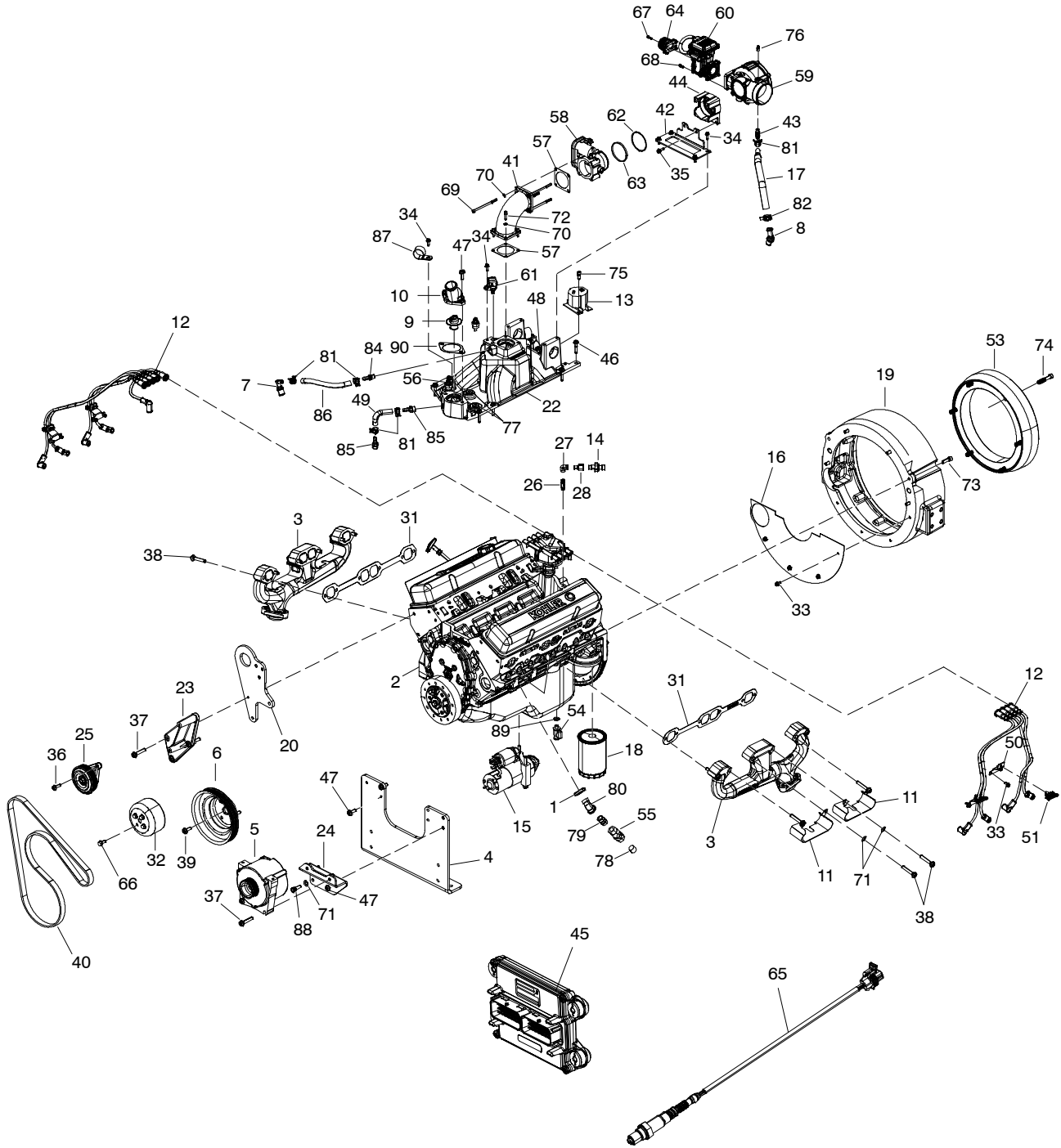
1: Engine, KG40-KG60

Item	Part No.	Description	Qty.
1	358310	Plug, freeze	2
2	GM100188	Engine, 6.2L NA long block	1
3	GM100218	Adapter, flywheel (machining)	1
4	GM100629	Mount, 6.2L engine	1
5	GM101057	Alternator, 6.2L engine	1
6	GM101203	Pulley, 6.2L crank	1
7	GM101204	Pulley, 6.2L water pump	1
8	GM101207	Valve, PCV	1
9	GM101208	Hose barb, crankcase breather	1
10	GM101211	Thermostat, 6.2L	1
11	GM101212	Housing, 6.2L NA thermostat	1
12	GM101222	Coil, 6.2L NA ignition	1
13	GM101223	Sensor, 6.2L oil pressure	1
14	GM101224	Adapter, 6.2L fan (HF)	1
15	GM101228	Starter, 6.2L	1
16	GM101229	Dust cover, 6.2L bell housing	1
17	GM101231	Hose, crankcase breather	1
18	GM101269	Filter, 6.2L oil	1
19	GM101293	Housing, 6.2L SAE 3 flywheel (machining)	1
20	GM101304	Bracket, engine	1
21	GM101893	Exhaust manifold, turbo RH	1
22	GM101894	Exhaust manifold, turbo LH	1
23	GM101933	Intake manifold	1
24	GM101976	Exhaust, 6.2L crossover	1
25	GM102050	Support, turbo	1
26	GM102301	Bracket, tensioner	1
27	GM102302	Bracket, alternator	1
28	GM102338	Tensioner, 6.2L drive belt	1
29	GM102377	Belt, 6.2L fead drive	1
30	GM102520	Wires, 6.2L NA ind spark plug (set)	1
31	GM102537	Fitting, 1/8 NPT nipple	1
32	GM102538	Fitting, 1/8 NPT 90° elbow	1
33	GM102539	Fitting, 1/8 NPT to 1/4 NPT adapter	1
34	GM102754	Harness, pigtail, 6.2L ignition coil	1
35	GM102755	Harness, pigtail, 6.2L voltage regulator	1
36	GM103079	Bushing, turbo mounting bracket	2
37	GM103108	Gasket, 6.2L exhaust	2
38	GM103144	Shield, heat	2
39	GM103150	Harness, engine, 6.2L	1
40	GM103551	Screw, HHFB, 1/4- 20 x 0.5 in.	8
41	GM103552	Screw, HHFB, 1/4- 20 x 0.625 in.	7
42	GM103553	Screw, HHFB, 1/4- 20 x 0.75 in.	2
43	GM103555	Screw, HHFB, 5/16- 18 x 1 in.	2
44	GM103559	Screw, HHFB, 3/8- 16 x 2 in.	11
45	GM103560	Screw, HHFB, 3/8- 16 x 2.25 in.	12
46	GM103562	Screw, HHFB, 3/8- 24 x 1 in.	3
47	GM103627	Elbow, intake	1
48	GM103628	Bracket, intake	1
49	GM103631	Elbow, 3/8 tube ID x 1/8 NPT	1
50	GM103633	Adapter, throttle	1
51	GM103735	Module, 6.2L NA ECM	1
52	GM103874	Screw, HHFB, 5/16- 8 x 1.5 in.	8
53	GM103875	Screw, HHFB, 3/8- 16 x 1 in.	10
54	GM103876	Screw, HHFB, 3/8- 16 x 0.75 in.	1
55	GM104226	Screw, HHFB, 3/8- 16 x 0.5 in.	2
56	GM104227	Hose, coolant (0.375 in. ID)	1
57	GM19299	Valve, oil drain (M12 x 1.75)	1
58	GM19670	Valve, shutoff (1/2- 14 NPT)	2
59	GM39458	Sender, temperature	2
60	GM92860	Gasket, 200 mixer	2
61	GM95633	Throttle, elect, 60 mm	1
62	GM95634	Mixer, 6.2L	1
63	GM95636	Regulator, 6.2L electronic	1
64	GM95638	Sensor, 10- 110kPa TMAP	1
65	GM97278	O- ring, ETB and adapter	1
66	GM97279	Spacer, ETB and adapter	1
67	GM98528	Adapter, 1- 1/4 in. NPT to D28 EPR	1
68	GM99119	Sensor, 6.2L HEGO	1
69	M6921-08020-60	Screw, hex flange M8 x 20	2
70	M912-04016-60	Screw, socket head cap	4
71	M912-05014-60	Screw, socket head cap	4
72	M912-06110-60	Screw, socket head cap	4
73	M912-08045-60	Screw, socket head cap	4
74	X-25-173	Washer, plain inst	8
75	X-25-18	Washer, flat, .391 ID x.875 in. OD	2
76	X-25-37	Washer, plain, .406 ID x.812 in. OD	2
77	X-55-34	SHCS, 1/4- 20 x .875	4
78	X-55-42	Screw, hex socket head machine	6
79	X-55-54	SHCS, 3/8- 16 x 2.25" Lg.	6
80	X-55-6	Screw, hex socket head machine	2
81	X-75-4	Plug, pipe (1/8 in. NPTF)	1
82	X-75-54	Plug, pipe (1/2 in. NPTF) brass	3
83	X-75-63	Plug, pipe (1/4 in. NPTF) brass	1
84	X-209-2	Pipe (1/2 in. NPT x 1.19 in.)	2

1: Engine, KG40-KG60, continued

Item	Part No.	Description	Qty.
85	X-274-13	Elbow, 45° street	2
86	X-309-17	Clamp, hose spring, 5/8 in. dia.	5
87	X-309-19	Clamp, hose spring, 1 in. dia.	1
88	X-582-54	Connector, hose, 1/4 NPT 3/8 hose	1
89	X-582-9	Connector, hose + Vibra seal	2
90	X-651-34	Hose, 3/8 in. ID rubber	1
91	X-672-32	Clamp, insulated, 1.06 in.	2
92	X-672-6	Clamp, insulated, 1.38 in.	2
93	X-672-7	Clamp, insulated, .44 in.	1
94	X-6238-4	Bolt, hex cap	2
95	X-6278-9	Washer, nylon, .48 ID x .825 in. OD	1
96	GM108118	Gasket, thermostat	1

1: Engine, 48RCLB/60RCLA



Items not shown: 21, 29, 30, 52, 83

GM100213-F

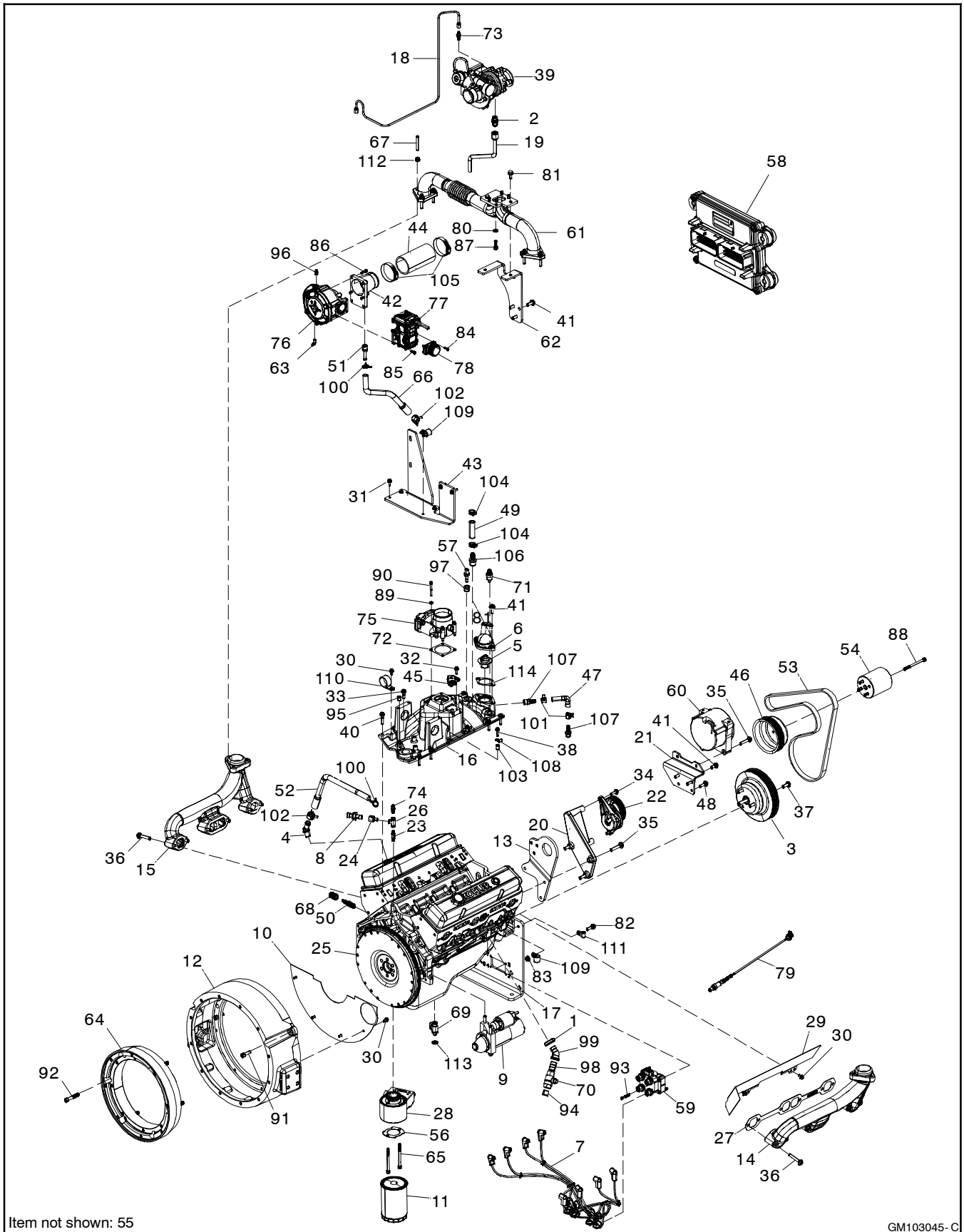
1: Engine, 48RCLB/60RCLA

Item	Part No.	Description	Qty.
1	358310	Plug, freeze	2
2	GM100188	Engine, 6.2L NA long block	1
3	GM100310	Manifold, exhaust NA	2
4	GM100629	Mount, 6.2L engine	1
5	GM101057	Alternator, 6.2L engine	1
6	GM101203	Pulley, 6.2L crank	1
7	GM101207	Valve, PCV	1
8	GM101208	Hose barb, crankcase breather	1
9	GM101211	Thermostat, 6.2L	1
10	GM101212	Housing, 6.2L NA thermostat	1
11	GM101219	Heat shield, 6.2L exhaust man.	4
12	GM101220	Wires, 6.2L NA spark plug (set)	1
13	GM101222	Coil, 6.2L NA ignition, ERC	1
14	GM101223	Sensor, 6.2L oil pressure	1
15	GM101228	Starter, 6.2L	1
16	GM101229	Dust cover, 6.2L bell housing	1
17	GM101231	Hose, crankcase breather	1
18	GM101269	Filter, 6.2L oil	1
19	GM101293	Housing, 6.2L SAE 3 flywheel (machining)	1
20	GM101304	Bracket, engine	1
21	GM101926	Harness, engine 6.2L NA	1
22	GM101933	Intake manifold	1
23	GM102301	Bracket, tensioner	1
24	GM102302	Bracket, alternator	1
25	GM102338	Tensioner, 6.2L drive belt	1
26	GM102537	Fitting, 1/8 NPT nipple	1
27	GM102538	Fitting, 1/8 NPT 90° elbow	1
28	GM102539	Fitting, 1/8 NPT to 1/4 NPT adapter	1
29	GM102754	Harness, pigtail, 6.2L ignition coil	1
30	GM102755	Harness, pigtail, 6.2L voltage regulator	1
31	GM103108	Gasket, 6.2L exhaust	2
32	GM103469	Pulley, 6.2L water pump	1
33	GM103551	Screw, HHFB, 1/4- 20 x 0.5 in.	12
34	GM103552	Screw, HHFB, 1/4- 20 x 0.625 in.	7
35	GM103553	Screw, HHFB, 1/4- 20 x 0.75 in.	2
36	GM103555	Screw, HHFB, 5/16- 18 x 1 in.	2
37	GM103559	Screw, HHFB, 3/8- 16 x 2 in.	5
38	GM103560	Screw, HHFB, 3/8- 16 x 2.25 in.	12
39	GM103562	Screw, HHFB, 3/8- 24 x 1 in.	3
40	GM103626	Belt, 6.2L, H2O pump pulley, small	1
41	GM103627	Elbow, intake	1
42	GM103628	Bracket, intake	1
43	GM103631	Elbow, 3/8 tube ID x 1/8 NPT	1
44	GM103633	Adapter, throttle	1
45	GM103735	Module, 6.2L NA ECM, ERC	1
46	GM103874	Screw, HHFB, 5/16- 8 x 1.5 in.	8
47	GM103875	Screw, HHFB, 3/8- 16 x 1 in.	6
48	GM103876	Screw, HHFB, 3/8- 16 x 0.75 in.	1
49	GM104227		1
	(REF)	Hose, coolant (0.375 in. ID)	
50	GM105603	Bracket, plug wire	4
51	GM105667	Clamp	4
52	GM10669	Shield, heat (32 mm ID x 305 mm length)	1
53	GM106836	Adapter, flywheel (machining)	1
54	GM19299	Valve, oil drain (M12 x 1.75)	1
55	GM19670	Valve, shutoff (1/2- 14 NPT)	2
56	GM39458	Sender, temperature	1
57	GM92860	Gasket, 200 mixer	2
58	GM95633	Throttle, elect, 60 mm	1
59	GM95634	Mixer, 6.2L, ERC	1
60	GM95636	Regulator, 6.2L electronic, ERC	1
61	GM95638	Sensor, 10- 110 kPa TMAP, ERC	1
62	GM97278	O- ring, ETB and adapter	1
63	GM97279	Spacer, ETB and adapter	1
64	GM98528	Adapter, 1- 1/4 in. NPT to D28 EPR	1
65	GM99119	Sensor, 6.2L HEGO	1
66	M6921-08020-60	Screw, hex flange M8 x 20	4
67	M912-04016-60	Screw, socket head cap	4
68	M912-05014-60	Screw, socket head cap	4
69	M912-06110-60	Screw, socket head cap	4
70	X-25-173	Washer, plain inst	8
71	X-25-37	Washer, plain, .406 ID x .812 in. OD	10
72	X-55-34	Shcs, 1/4- 20 x .875	4
73	X-55-42	Screw, hex socket head machine	6
74	X-55-54	Shcs, 3/8- 16 x 2.25 in. lg.	6
75	X-55-6	Screw, hex socket head machine	2
76	X-75-4	Plug, pipe (1/8 in. NPTF)	1
77	X-75-54	Plug, pipe (1/2 in. NPTF) brass	4
78	X-75-63	Plug, pipe (1/4 in. NPTF) brass	1
79	X-209-2	Pipe (1/2 in. NPT x 1.19 in.)	2
80	X-274-13	Elbow, 45° street	2

1: Engine, 48RCLB/60RCLA, continued

Item	Part No.	Description	Qty.
81	X-309-17	Clamp, hose spring, 5/8 in. dia	5
82	X-309-19	Clamp, hose spring, 1 in. dia	1
83	X-468-1	Cable tie	2
84	X-582-54	Connector, hose, 1/4 NPT 3/8 hose	1
85	X-582-9	Connector, hose + vibra seal	2
86	X-651-34	Hose, 3/8 in. ID rubber	1
87	X-672-6	Clamp, insulated, 1.38 in.	2
88	X-6238-4	Bolt, hex cap	2
89	X-6278-9	Washer, nylon, .48 ID x .825 in. OD	1
90	GM108118	Gasket, thermostat	1

1: Engine, KG80



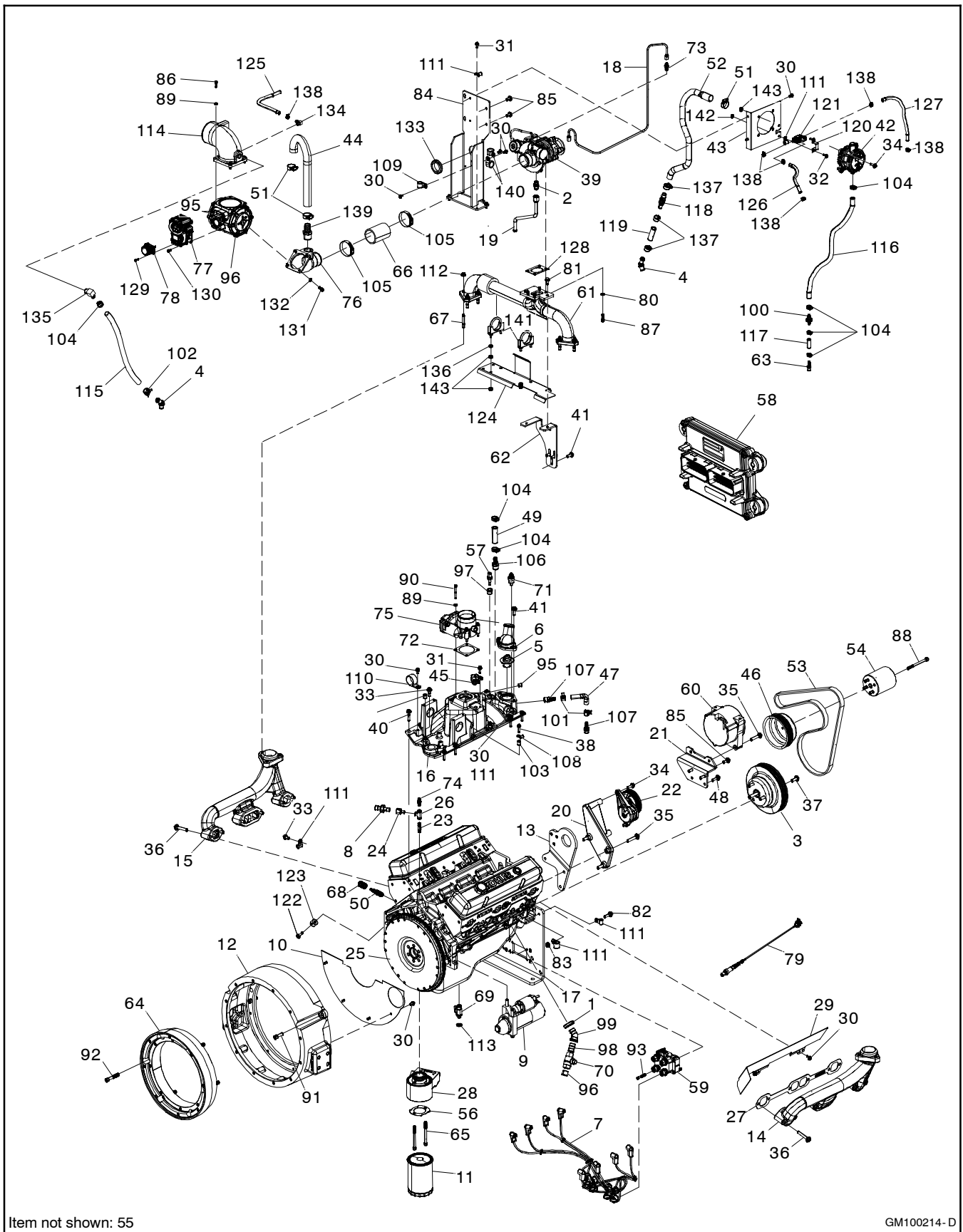
1: Engine, KG80

Item	Part No.	Description	Qty.
1	358310	Plug, Freeze	2
2	11802001400	Adapter, M16 x 1/2	1
3	GM101203	Pulley, 6.2L Crank	1
4	GM101208	Hose Barb, Crankcase Breather	2
5	GM101211	Thermostat, 6.2L	1
6	GM101212	Housing, 6.2L NA Thermostat	1
7	GM101221	Wire Set, Spark Plugs, 6.2L Turbo	1
8	GM101223	Sensor, 6.2L Oil Pressure	1
9	GM101228	Starter, 6.2L	1
10	GM101229	Dust Cover, 6.2L Bell Housing	1
11	GM101269	Filter, 6.2L Oil	1
12	GM101293	Housing, 6.2L SAE 3 Flywheel (Machining)	1
13	GM101304	Bracket, Engine	1
14	GM101893	Exhaust Manifold, Turbo RH	1
15	GM101894	Exhaust Manifold, Turbo LH	1
16	GM101933	Intake Manifold	1
17	GM102113	Mount, 6.2L Turbo Front Engine	1
18	GM102133	Line, 6.2L Turbo Oil Supply	1
19	GM102134	Line, 6.2L Turbo Oil Return	1
20	GM102301	Bracket, Tensioner	1
21	GM102302	Bracket, Alternator	1
22	GM102338	Tensioner, 6.2L Drive Belt	1
23	GM102537	Fitting, 1/8 NPT Nipple	1
24	GM102539	Fitting, 1/8 NPT To 1/4 NPT Adapter	1
25	GM103077	Engine, 6.2L Engine Long Block, 80kW	1
26	GM103094	Fitting, 1/8 in. NPT Pipe Tee	1
27	GM103108	Gasket, 6.2L Exhaust	2
28	GM103110	Adapter, 6.2L Turbo Oil Cooler	1
29	GM103144	Shield, Heat	2
30	GM103551	Screw, HHFB, 1/4- 20 x 0.5 in.	9
31	GM103552	Screw, HHFB, 1/4- 20 x 0.625 in.	4
32	GM103553	Screw, HHFB, 1/4- 20 x 0.75 in.	1
33	GM103554	Screw, HHFB, 5/16- 18 x 0.625 in.	1
34	GM103555	Screw, HHFB, 5/16- 18 x 1 in.	2
35	GM103559	Screw, HHFB, 3/8- 16 x 2 in.	5
36	GM103560	Screw, HHFB, 3/8- 16 x 2.25 in.	12
37	GM103562	Screw, HHFB, 3/8- 24 x 1 in.	3
38	GM103563	Screw, HHFB, 1/4- 20 x 1 in.	4
39	GM103634	Turbo Charger, 6.2L	1
40	GM103874	Screw, HHFB, 5/16- 8 x 1.5 in.	8
41	GM103875	Screw, HHFB, 3/8- 16 x 1 in.	9
42	GM103878	Adapter, Mixer	1
43	GM103879	Bracket, Mixer	1
44	GM103880	Hose, 6.2L Turbo, 80kW, 60 mm ID x 132.5 mm	1
45	GM104078	Sensor, 20- 300 kPa TMAP, ERC	2
46	GM104225	Pulley, Pump	1
47	GM104227	Hose, Coolant (0.375 in. ID)	1
48	GM104230	Screw, HHFB, 3/8- 16 x 1.25 in.	2
49	GM104283	Hose, Turbo Oil Return	1
50	GM104391	Spark Plug, 6.2L Turbo, ERC	8
51	GM104430	Fitting, Hose Connector	1
52	GM104432	Hose, 80 kW, Mixer, Breather	1
53	GM104591	Belt, 6.2L Turbo 100 kW	1
54	GM104629	Adapter, Fan, 6.2L Turbo	1
55	GM104905	Harness, Engine 6.2L Ind Turbo KG80	1
56	GM104986	Gasket, Filter Bypass	1
57	GM105601	ECT Sensor	1
58	GM105606	Module, 6.2L T ECM, ERC	1
59	GM105832	6.2L Turbo Standard 4 Tower Coil, ERC	2
60	GM105833	Alternator, 6.2L Engine	1
61	GM105834	Exhaust, 6.2L Crossover	1
62	GM105835	Support, Turbo	1
63	GM106765	Connector, Hose + Vibra Seal	1
64	GM106836	Adapter, Flywheel (Machining)	1
65	GM106838	SHCS, 5/16- 18 x 3.75 in.	2
66	GM106917	Hose, 80 kW, Mixer, PCV	1

1: Engine, KG80, continued

Item	Part No.	Description	Qty.
67	GM106941	Stud	6
68	GM106993	Spring, Spark Plug Ground	8
69	GM19299	Valve, Oil Drain (M12 x 1.75)	1
70	GM19670	Valve, Shutoff (1/2- 14NPT)	2
71	GM39458	Sender, Temperature	1
72	GM92860	Gasket, 200 Mixer	1
73	GM93013	Fitting, M12 To JIC- 4 37° deg	1
74	GM93014	Fitting, 1/8 in. NPT to JIC- 4 37° deg	1
75	GM95633	Throttle, Elect, 60 mm	1
76	GM95634	Mixer, 6.2L, ERC	1
77	GM95636	Regulator, 6.2L Electronic, ERC	1
78	GM98528	Adapter, 1- 1/4 in. NPT to D28 EPR	1
79	GM99119	Sensor, 6.2L HEGO, ERC	1
80	M125A-08-80	Washer, Plain 8.4 ID x 16.0 OD	4
81	M6921-08020-60	Screw, Hex Flange M8 x 20	2
82	M6921-08030-60	Screw, Hex Flange (M8- 1.25 x 30 mm)	1
83	M6923-08-80	Nut, Hex 8 mm	1
84	M912-04016-60	Screw, Socket Head Cap	4
85	M912-05014-60	Screw, Socket Head Cap	4
86	M912-06022-SS	Screw, Socket Head Cap	4
87	M912-08025-92	Screw, Socket Head Cap	4
88	M912-08100-92	Screw, Socket Head Cap	4
89	X-25-173	Washer, Plain Inst	4
90	X-55-39	Screw, Hex Socket Head Machine	4
91	X-55-42	Screw, Hex Socket Head Machine	6
92	X-55-54	SHCS, 3/8- 16 x 2.25 in. LG.	6
93	X-55-58	Fastener. SHCS, #12- 24 x 1 1/2 in.	8
94	X-75-4	Plug, Pipe (1/8 in. NPTF)	1
95	X-75-51	Plug, Pipe (1/4 in. NPTF)	2
96	X-75-54	Plug, Pipe (1/2 in. NPTF) Brass	2
97	X-202-28	Bushing, Reducing (3/8 x 1/2 in. NPT)	1
98	X-209-2	Pipe (1/2 in. NPT x 1.19 in.)	2
99	X-274-13	Elbow, 45° Street	2
100	X-309-11	Clamp, Hose 3/4 (KM)	2
101	X-309-17	Clamp, Hose Spring, 5/8 in. Dia	2
102	X-309-19	Clamp, Hose Spring, 1 in. Dia	2
103	X-400-28	Spacer, .282 ID x .5 OD x .531 in.	2
104	X-426-10	Clamp, Hose, .5/1 in.	2
105	X-426-2	Clamp, Hose, 2.31/3.25 in.	2
106	X-582-5	Connector, Hose + Vibra Seal	1
107	X-582-9	Connector, Hose + Vibra Seal	2
108	X-672-15	Clamp, Insulated, .25 in.	2
109	X-672-31	Clamp, Insulated, .75 in.	2
110	X-672-39	Clamp	1
111	X-672-7	Clamp, Insulated, .44 in.	1
112	X-6210-9	Nut, Flange Spirallock, 3/8- 16	6
113	X-6278-9	Washer, Nylon, .48 ID x .825 in. OD	1
114	GM108118	Gasket, thermostat	1

1: Engine, KG100-KG125



Item not shown: 55

GM100214-D

1: Engine, KG100-KG125

Item	Part No.	Description	Qty.
1	358310	Plug, Freeze	2
2	11802001400	Adapter, M16 x 1/2	1
3	GM101203	Pulley, 6.2L Crank	1
4	GM101208	Hose Barb, Crankcase Breather	2
5	GM101211	Thermostat, 6.2L	1
6	GM101212	Housing, 6.2L NA Thermostat	1
7	GM101221	Wire Set, Spark Plugs, 6.2L Turbo	1
8	GM101223	Sensor, 6.2L Oil Pressure	1
9	GM110004	Starter, 6.2L T, 6449N- K	1
10	GM101229	Dust Cover, 6.2L Bell Housing	1
11	GM101269	Filter, 6.2L Oil	1
12	GM101293	Housing, 6.2L SAE 3 Flywheel (Machining)	1
13	GM101304	Bracket, Engine	1
14	GM101893	Exhaust Manifold, Turbo RH	1
15	GM101894	Exhaust Manifold, Turbo LH	1
16	GM101933	Intake Manifold	1
17	GM102113	Mount, 6.2L Turbo Front Engine	1
18	GM102133	Line, 6.2L Turbo Oil Supply	1
19	GM102134	Line, 6.2L Turbo Oil Return	1
20	GM102301	Bracket, Tensioner	1
21	GM102302	Bracket, Alternator	1
22	GM102338	Tensioner, 6.2L Drive Belt	1
23	GM102537	Fitting, 1/8 NPT Nipple	1
24	GM102539	Fitting, 1/8 NPT to 1/4 NPT Adapter	1
25	GM101262	Engine, 6.2L Turbo Long Block, 100kw+	1
26	GM103094	Fitting, 1/8 in. NPT Pipe Tee	1
27	GM103108	Gasket, 6.2L Exhaust	2
28	GM103110	Adapter, 6.2L Turbo Oil Cooler	1
29	GM103144	Shield, Heat	2
30	GM103551	Screw, HHFB, 1/4- 20 x 0.5 in.	15
31	GM103552	Screw, HHFB, 1/4- 20 x 0.625 in.	5
32	GM103553	Screw, HHFB, 1/4- 20 x 0.75 in.	2
33	GM103554	Screw, HHFB, 5/16- 18 x 0.625 in.	2
34	GM103555	Screw, HHFB, 5/16- 18 x 1 in.	6
35	GM103559	Screw, HHFB, 3/8- 16 x 2 in.	5
36	GM103560	Screw, HHFB, 3/8- 16 x 2.25 in.	12
37	GM103562	Screw, HHFB, 3/8- 24 x 1 in.	3
38	GM103563	Screw, HHFB, 1/4- 20 x 1 in.	2
39	GM103634	Turbo Charger, 6.2L	1
40	GM103874	Screw, HHFB, 5/16- 8 x 1.5 in.	8
41	GM103875	Screw, HHFB, 3/8- 16 x 1 in.	7
42	GM104221	Impactor	1
43	GM103882	Bracket, Impactor	1
44	GM104274	Hose, Impactor, Mixer, 6.2L, Turbo	1
45	GM104078	Sensor, 20- 300kPa TMAP, ERC	2
46	GM104225	Pulley, Pump	1
47	GM104227	Hose, Coolant (0.375 in. I.D)	1
48	GM104230	Screw, HHFB, 3/8- 16 x 1.25 in.	2
49	GM104283	Hose, Turbo Oil Return	1
50	GM104391	Spark Plug, 6.2L Turbo, ERC	8
51	X- 426- 21	Clamp, Hose, .81/1.75 in.	3
52	GM104275	Hose, Impactor, Breather, 6.2L, Turbo	1
53	GM104591	Belt, 6.2L Turbo 100KW	1
54	GM104629	Adapter, Fan, 6.2L Turbo	1
55	GM104024	Harness, Engine, 6.2L Industrial Turbo	1
56	GM104986	Gasket, Filter Bypass	1
57	GM105601	ECT Sensor	1
58	GM107814	Module, 6.2L T ECM, ERC	1
59	GM105832	6.2L Turbo Standard 4 Tower Coil, ERC	2
60	GM105833	Alternator, 6.2L Engine	1
61	GM109252	Exhaust, 6.2L Crossover	1
62	GM102050	Support, Turbo	1
63	X- 652- 1	Connector, Hose + Vibra Seal	1
64	GM106836	Adapter, Flywheel (Machining)	1
65	GM106838	SHCS, 5/16- 18 x 3.75 in.	2
66	GM103888	Hose, 6.2L Turbo, 100KW, 60 mm ID x 95 mm	1
67	GM106941	Stud	6
68	GM106993	Spring, Spark Plug Ground	8
69	GM19299	Valve, Oil Drain (M12 x 1.75)	1

1: Engine, KG100-KG125, continued

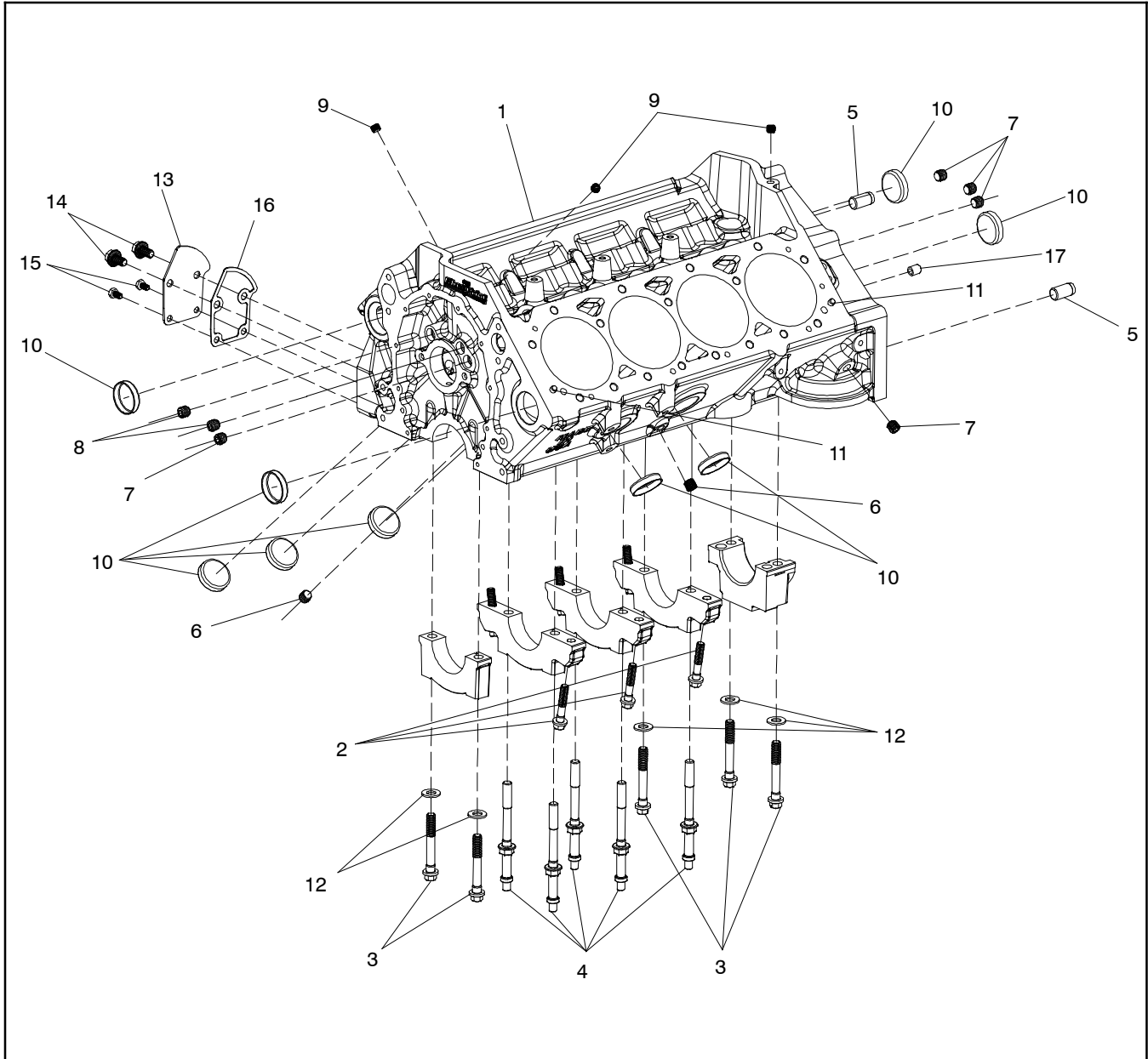
Item	Part No.	Description	Qty.
70	GM19670	Valve, Shutoff (1/2- 14NPT)	2
71	GM39458	Sender, Temperature	1
72	GM92860	Gasket, 200 Mixer	1
73	GM93013	Fitting, M12 To Jic- 4 37°	1
74	GM93014	Fitting, 1/8 in. NPT To Jic- 4 37°	1
75	GM95633	Throttle, Elect, 60 mm	1
76	GM103635	Elbow	1
77	GM95636	Regulator, 6.2L Electronic, ERC	1
78	GM98528	Adapter, 1- 1/4 in. NPT to D28 EPR	1
79	GM99119	Sensor, 6.2L HEGO, ERC	1
80	M125A-08-80	Washer, Plain 8.4 ID x 16.0 OD	4
81	M6921-08020-60	Screw, Hex Flange M8 x 20	2
82	M6921-08030-60	Screw, Hex Flange (M8- 1.25 x 30 mm)	1
83	M6923-08-80	Nut, Hex 8 mm	1
84	GM103636	Bracket	1
85	GM103876	Screw, HHFB, 3/8- 16 x 0.75 in.	4
86	M912-06022-SS	Screw, Socket Head Cap	4
87	M912-08025-92	Screw, Socket Head Cap	4
88	M912-08100-92	Screw, Socket Head Cap	4
89	X- 25- 173	Washer, Plain _Inst	8
90	X- 55- 39	Screw, Hex Socket Head Machine	4
91	X- 55- 42	Screw, Hex Socket Head Machine	6
92	X- 55- 54	SHCS, 3/8- 16 x 2.25 in. Lg.	6
93	X- 55- 58	Fastener. SHCS, #12- 24 x 1 1/2 in.	8
94	GM103886	Mixer, Turbo, 100KW+, ERC	1
95	X- 75- 51	Plug, Pipe (1/4 in. NPTF)	3
96	X- 75- 54	Plug, Pipe (1/2 in. NPTF) Brass	2
97	X- 202- 28	Bushing, Reducing (3/8 x 1/2 in. NPT)	1
98	X- 209- 2	Pipe (1/2 in. NPT x 1.19 in.)	2
99	X- 274- 13	Elbow, 45° Street	2
100	GM103883	Check Valve	1
101	X- 309- 17	Clamp, Hose Spring, 5/8 in. Dia	2
102	X- 309- 19	Clamp, Hose Spring, 1 in. Dia	1
103	X- 400- 28	Spacer, .282 ID x .5 OD x .531 in.	2
104	X- 426- 10	Clamp, Hose, .5/1 in.	7
105	X- 426- 2	Clamp, Hose, 2.31/3.25 in.	2
106	X- 582- 5	Connector, Hose + Vibra Seal	1
107	X- 582- 9	Connector, Hose + Vibra Seal	2
108	X- 672- 15	Clamp, Insulated, .25 in.	2
109	X- 672- 31	Clamp, Insulated, .75 in.	1
110	X- 672- 39	Clamp	1
111	X- 672- 7	Clamp, Insulated, .44 in.	6
112	X- 6210- 9	Nut, Flange Spirallock, 3/8- 16	6
113	X- 6278- 9	Washer, Nylon, .48 ID x .825 in. OD	1
114	GM103884	Elbow, Filter	1
115	GM104276	Hose, Mixer, Breather, 6.2L, Turbo	1
116	GM104277	Hose, Impactor, Manifold, 6.2L, Turbo	1
117	GM104282	Hose, Check Valve	1
118	GM105604	Barb, Reducer	1
119	GM105605	Hose, Mixer, Breather, 6.2L Turbo	1
120	GM105607	Bracket, Solenoid	1
121	GM105609	Wastegate Control Solenoid 6.2T, ERC	1
122	GM106358	Screw, Hhfb, 5/16- 8 x 1.25 in.	1
123	GM106359	Knock Sensor, ERC	1
124	GM108039	Heat Shield, Turbo	1
125	GM108101	Hose, Silicone	1
126	GM108102	Hose, Silicone	1
127	GM108103	Hose, Silicone	1
128	GM92855	Gasket, Turbine Inlet	1
129	M912- 04016- SS	Screw, Socket Head Cap	4
130	M912- 05014- SS	Screw, Socket Head Cap	4
131	M912- 08020- 92	Screw, Socket Head Cap	4
132	X- 25- 44	Washer, Plain.328 ID x .562 OD	4
133	X- 284- 23	Grommet, Round	1
134	X- 391- 1	Connector, 90 Deg. (1/4 in. ID Hose)	1
135	X- 391- 19	Connector, 90 Deg. (5/8 in. ID Hose)	1
136	X- 400- 170	Spacer, .344 ID x .625 OD x .143 in.	4
137	X- 426- 12	Clamp, Hose, .69/1.25 in.	3
138	X- 426- 9	Clamp, Hose, .25/.70 in.	6

1: Engine, KG100-KG125, continued

Item	Part No.	Description	Qty.
139	X- 582- 13	Connector, Hose	1
140	X- 672- 32	Clamp, Insulated, 1.06 in.	2
141	X- 722- 5	Clamp, Muffler, 2.12 in.	2
142	X- 6210- 2	Nut, Flange Spirallock, 1/4- 20	2
143	X- 6210- 7	Nut, Flange Spirallock, 5/16- 18	12

2: Block

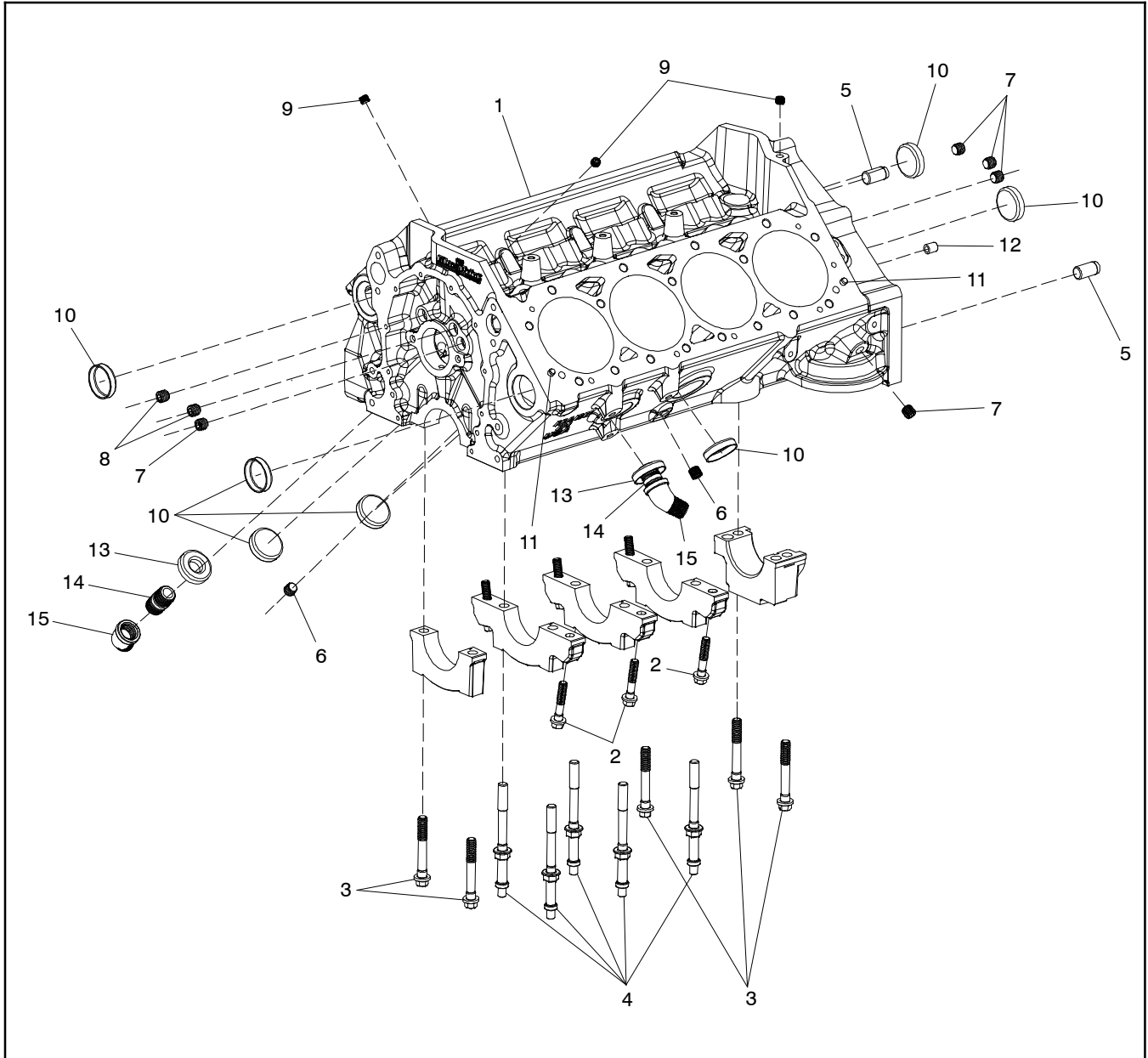
KG40-KG60, 48RCLB and 60RCLA



Item	Part No.	Description	Qty.
1	GM105058	Block, Sb. 1- Pc	1
2	GM105061	Bolt; HFH, 3/8- 16 x 2.00, main cap	6
3	GM105060	Bolt; HFH, 7/16- 14 x 3.00, main cap	5
4	GM105122	Stud, Windage Tray	5
5	GM105057	Dowel Pin, Bell Housing	2
6	GM105077	Pipe Plug, 1/4 Brass	2
7	GM105076	Pipe Plug, 1/4 NPT, Steel	5
8	GM105081	Pipe Plug, 1/4 NPT, Steel, Drilled .026 in.	2
9	GM105120	Pipe Plug, 1/8 NPT, Steel	3
10	GM105123	Expansion Plug, 1 5/8 in.	9
11	GM105097	Dowel Pin, Cylinder Head	4
12	GM105050	Washer, 7/16, Black Oxide, Hardened	5
13	GM105115	Plate, Fuel Pump	1
14	GM105080	Bolt, HFH, 3/8- 16 x .75, WHZ	2
15	GM105126	Bolt, HH 1/4- 20 x .50 GR 8	2
16	GM105124	Gasket, Fuel Pump Plate	1
17	GM105241	Dowel, Rear Seal Housing	1

2: Block, continued

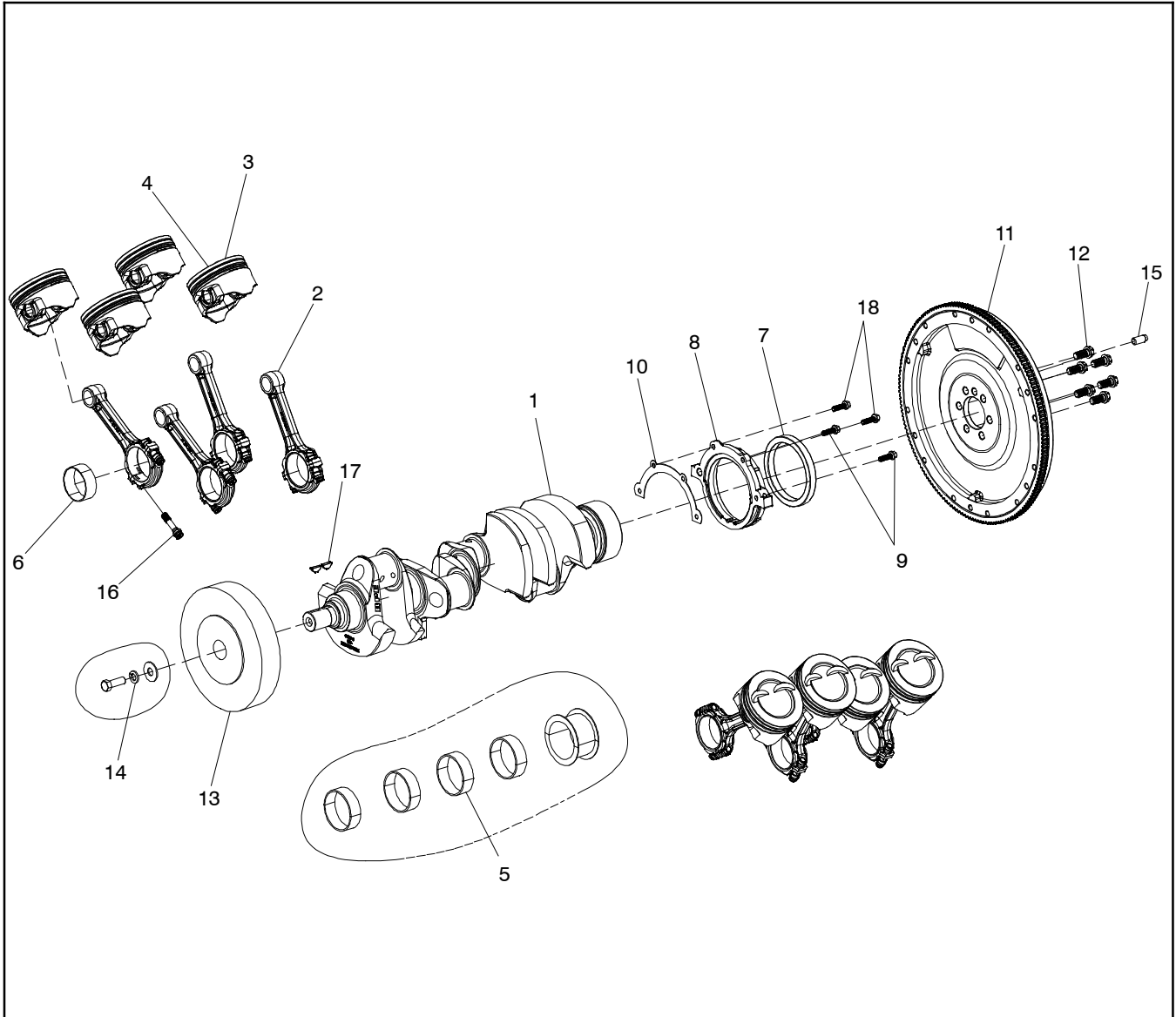
KG80- KG125



Item	Part No.	Description	Qty.
1	GM111408	Block; SB, 1-Pc	1
2	GM105061	Bolt; HFH, 3/8- 16 x 2.00, Main Cap	6
3	GM105060	Bolt; HFH, 7/16- 14 x 3.00, Main Cap	5
4	GM105122	Stud; Windage Tray	5
5	GM105057	Dowel Pin; Bell Housing	2
6	GM105077	Pipe Plug; 1/4 Brass	2
7	GM105076	Pipe Plug; 1/4 NPT, Steel	5
8	GM105081	Pipe Plug; 1/4 NPT, Steel, Drilled to .026 in.	2
9	GM105120	Pipe Plug; 1/8 NPT, Steel	3
10	GM111409	Expansion Plug; 1 5/8 in.	7
11	GM105097	Dowel Pin; Cylinder Head	4
12	GM105241	Dowel; Rear Seal Housing	1
13	358310	Plug; Freeze	2
14	X-209-2	Pipe (1/2 in. NPT x 1.19 in.)	2
15	X-274-13	Elbow; Street (45° x 1/2 in. NPT)	2

3: Crank and Piston

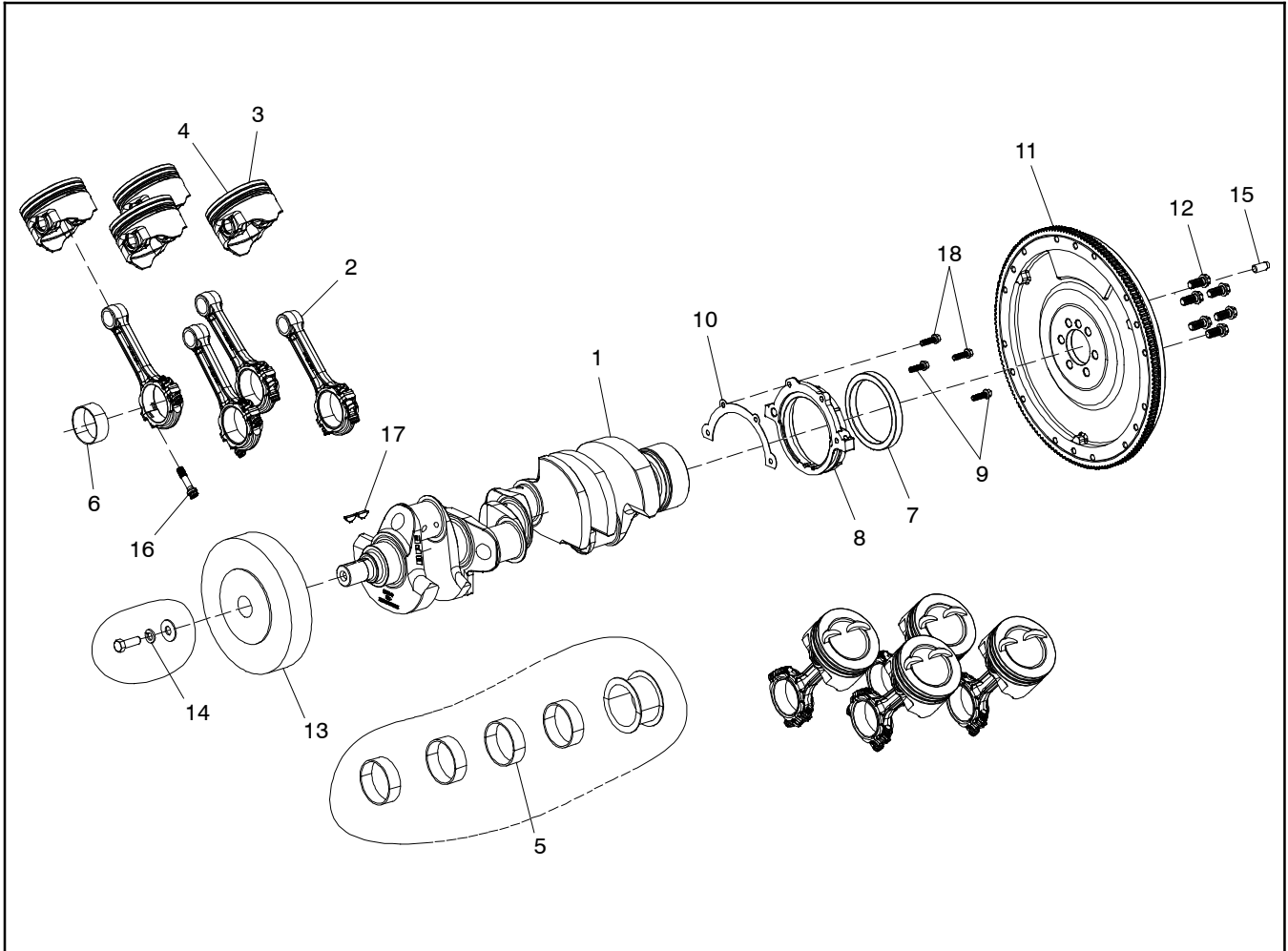
KG40-KG60, 48RCLB and 60RCLA



Item	Part No.	Description	Qty.
1	GM105048	Crankshaft	1
2	GM105063	Connecting Rod, 5.700, I-Beam, .38-24	8
3	GM105106	Piston	8
4	GM105105	Ring Set, Piston, 6.2L (Set Of 8)	1
5	GM105069	Main Bearings	1
6	GM105070	Rod Bearings	1
7	GM105111	Rear Seal	1
8	GM105054	Rear Seal Housing	1
9	GM105075	Bolt, HFH 1/4-20 x 1.25, GR 8	2
10	GM105113	Gasket, Rear Seal Housing	1
11	GM105047	Flywheel	1
12	GM105055	Bolt, HWH 7/16-20 UNFx 1.00, Flywheel	6
13	GM105085	Harmonic Balancer	1
14	GM105094	Balancer Bolt Kit	1
15	GM105088	Dowel Pin, Crankshaft	1
16	GM105103	Bolt, 3/8-24 UNF, Connecting Rod	16
17	GM105056	Crank Key, .750 x .188	2
18	GM105242	Bolt, HFH, 1/4-20 x 1.00	2

3: Crank and Piston, continued

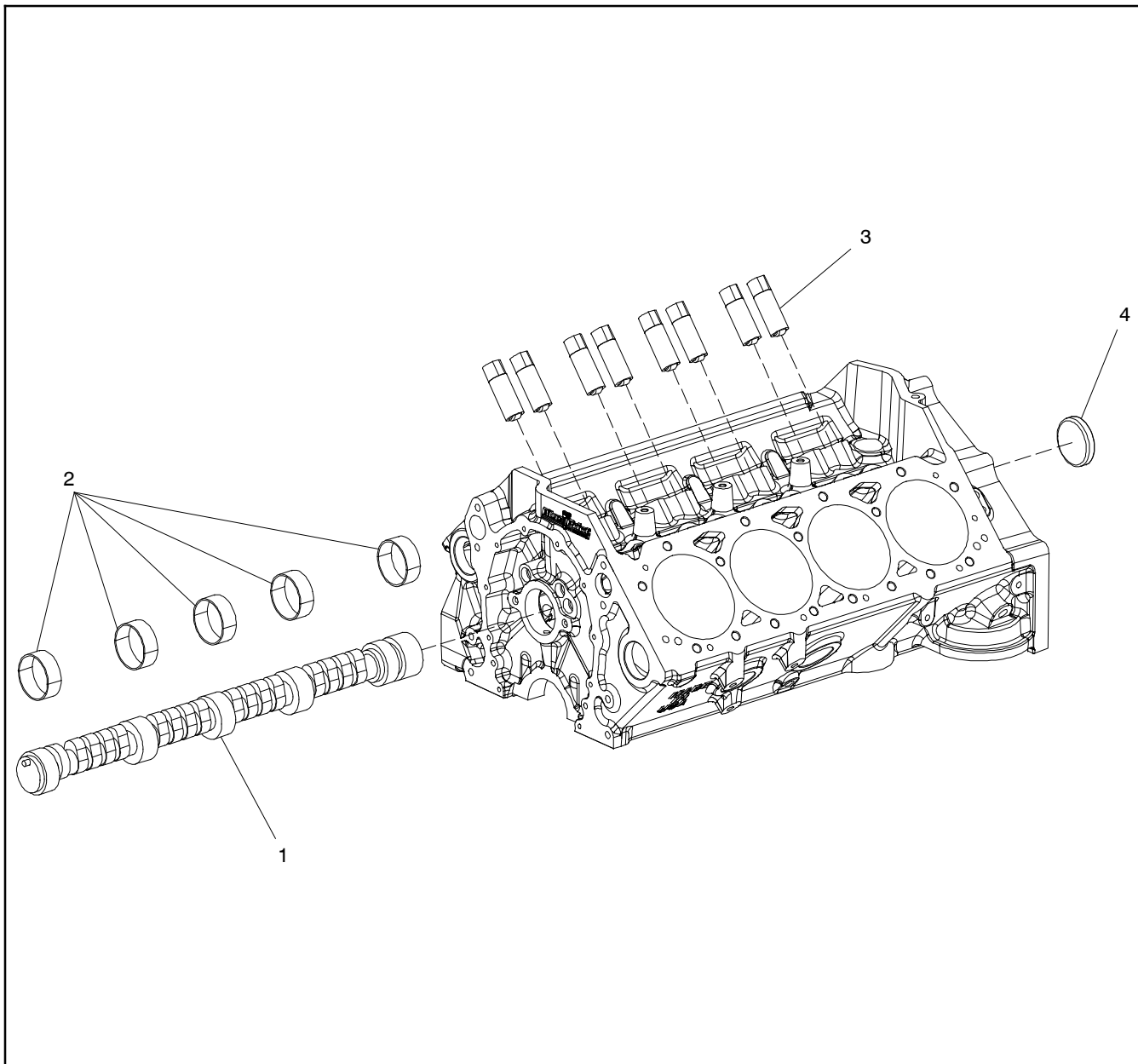
KG80- KG125



Item	Part No.	Description	Qty.	
			Variation	
			KG80	KG100/125
1	GM105048	Crankshaft	1	
1	GM107521	Crankshaft		1
2	GM105063	Connecting Rod	8	
2	GM107523	Connecting Rod		8
3	GM107531	Piston	8	
3	GM107510	Piston		8
4	GM105105	Ring Set; Piston, 6.2L (Set Of 8)	1	1
5	GM105069	Main Bearings	1	
5	GM107525	Main Bearings		1
6	GM105070	Rod Bearing	1	
6	GM107512	Rod Bearing		1
7	GM105111	Seal; Rear	1	1
8	GM105054	Rear Seal Housing	1	1
9	GM105075	Bolt; HFH 1/4- 20 x 1.25, GR8	2	2
10	GM105113	Gasket; Rear Seal Housing	1	1
11	GM105047	Flywheel	1	1
12	GM105055	Bolt; HWH 7/16- 20 UNF x 1.00, Flywheel	6	6
13	GM105085	Harmonic Balancer	1	
13	GM107520	Harmonic Balancer		1
14	GM105094	Bolt Kit; Harmonic Balancer	1	1
15	GM105088	Dowel Pin; Crankshaft	1	1
16	GM107511	Bolt; 3/8- 24 UNF, Connecting Rod	16	16
17	GM105056	Crank Key; .750 x .188	2	2
18	GM105242	Bolt; HFH, 1/4- 20 x 1.00	2	2

4: Camshaft and Lifters

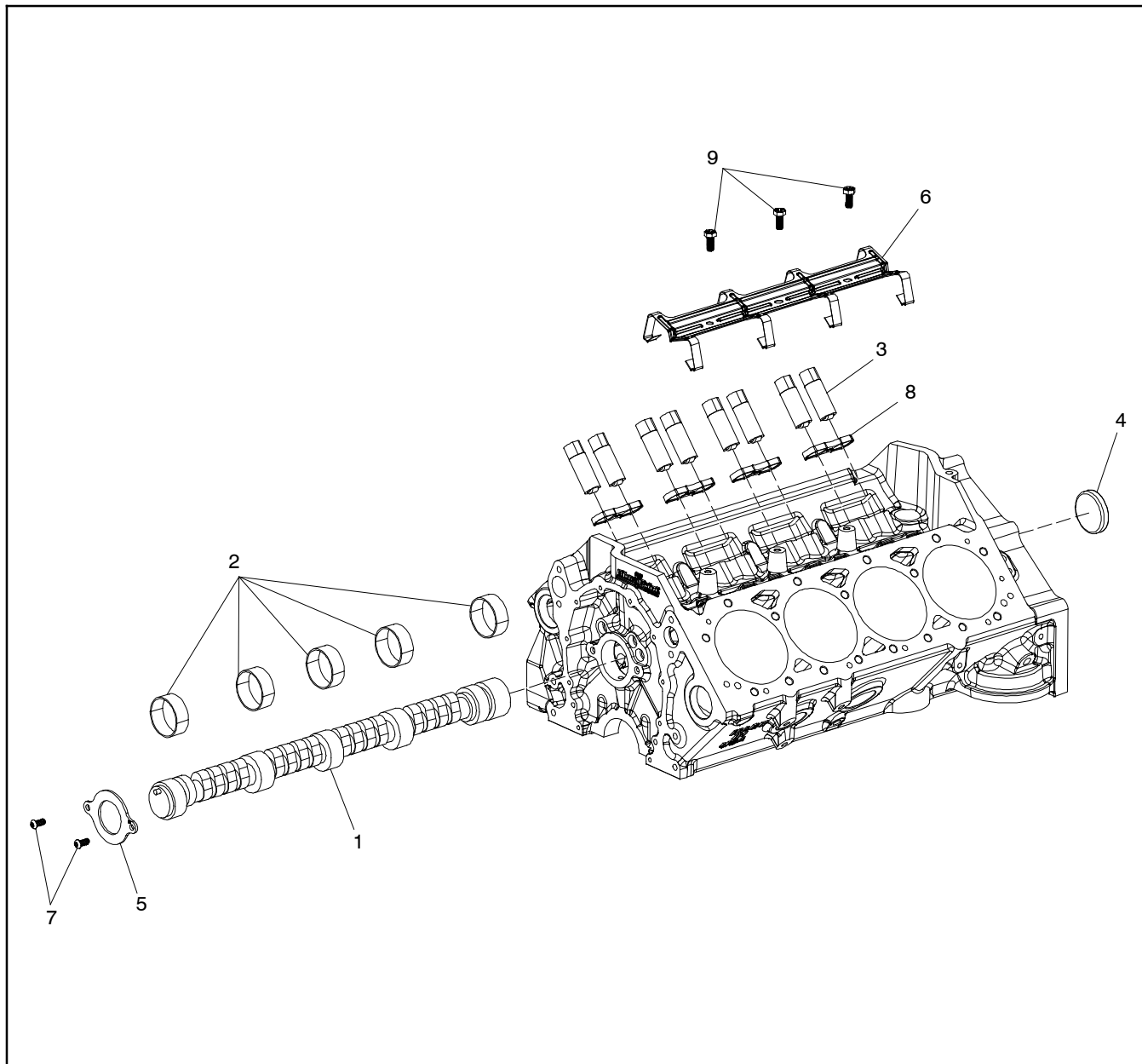
KG40-KG60, 48RCLB and 60RCLA



Item	Part No.	Description	Qty.
1	GM105067	Camshaft	1
2	GM105062	Cam Bearing	5
3	GM105104	Lifter	16
4	GM105086	Plug, Expansion, 2.11 in.	1

4: Camshaft and Lifters, continued

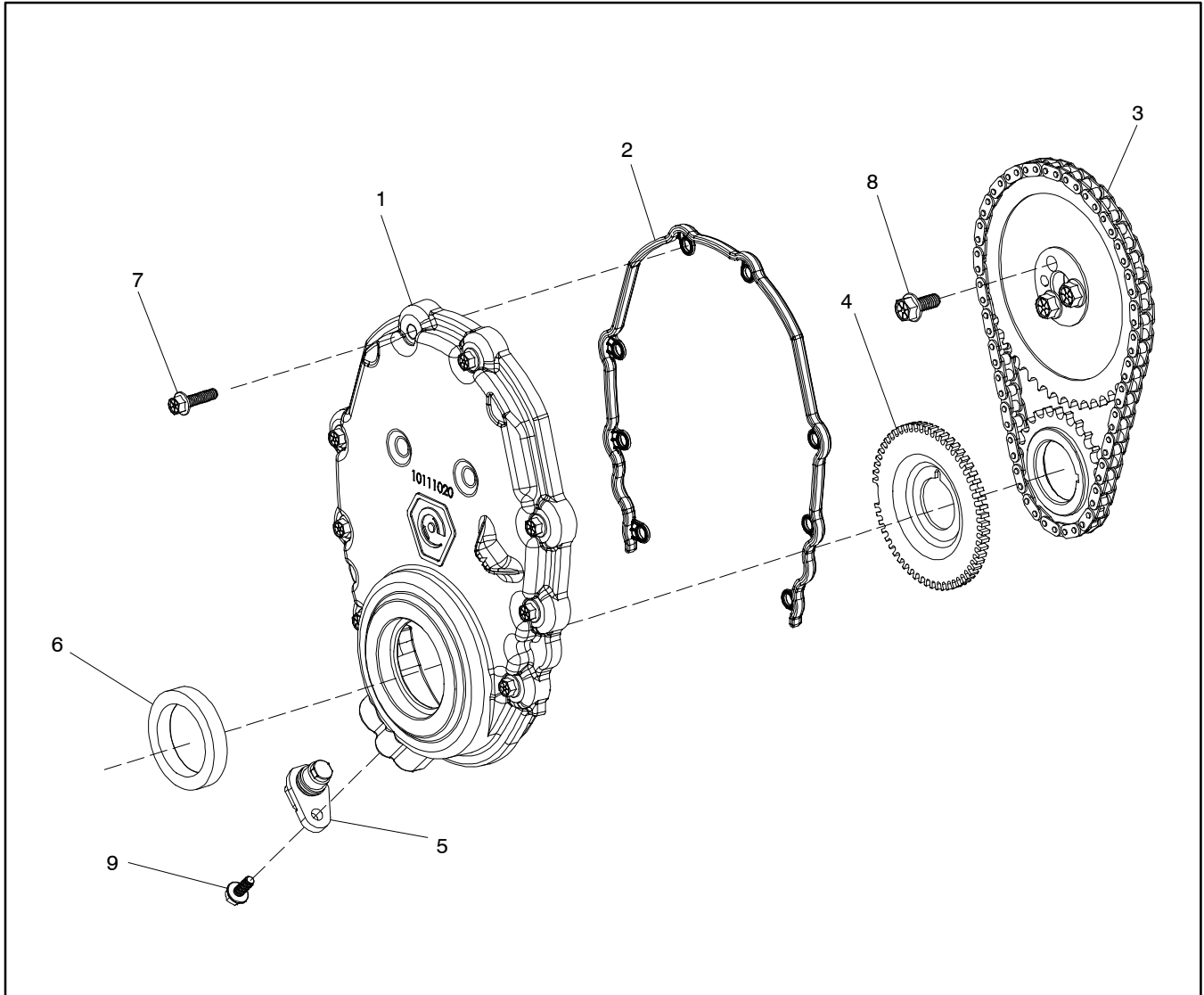
KG80- KG125



Item	Part No.	Description	Qty.	
			Variation	
			KG80	KG100/125
1	GM107517	Camshaft	1	1
2	GM105062	Cam Bearing	5	
2	GM107519	Cam Bearing		5
3	GM111407	Lifter	16	16
4	GM105086	Plug; Expansion, 2.11 in.	1	1
5	GM107515	Cam Plate Retainer	1	1
6	GM107516	Lifter Yoke Retainer	1	1
7	GM107518	1/4 x 20 x 5/8 Button Head Screw	2	2
8	GM107526	Lifter Yoke	8	8
9	GM107528	Lifter Retainer Bolt	3	3

5: Timing Gear and Cover

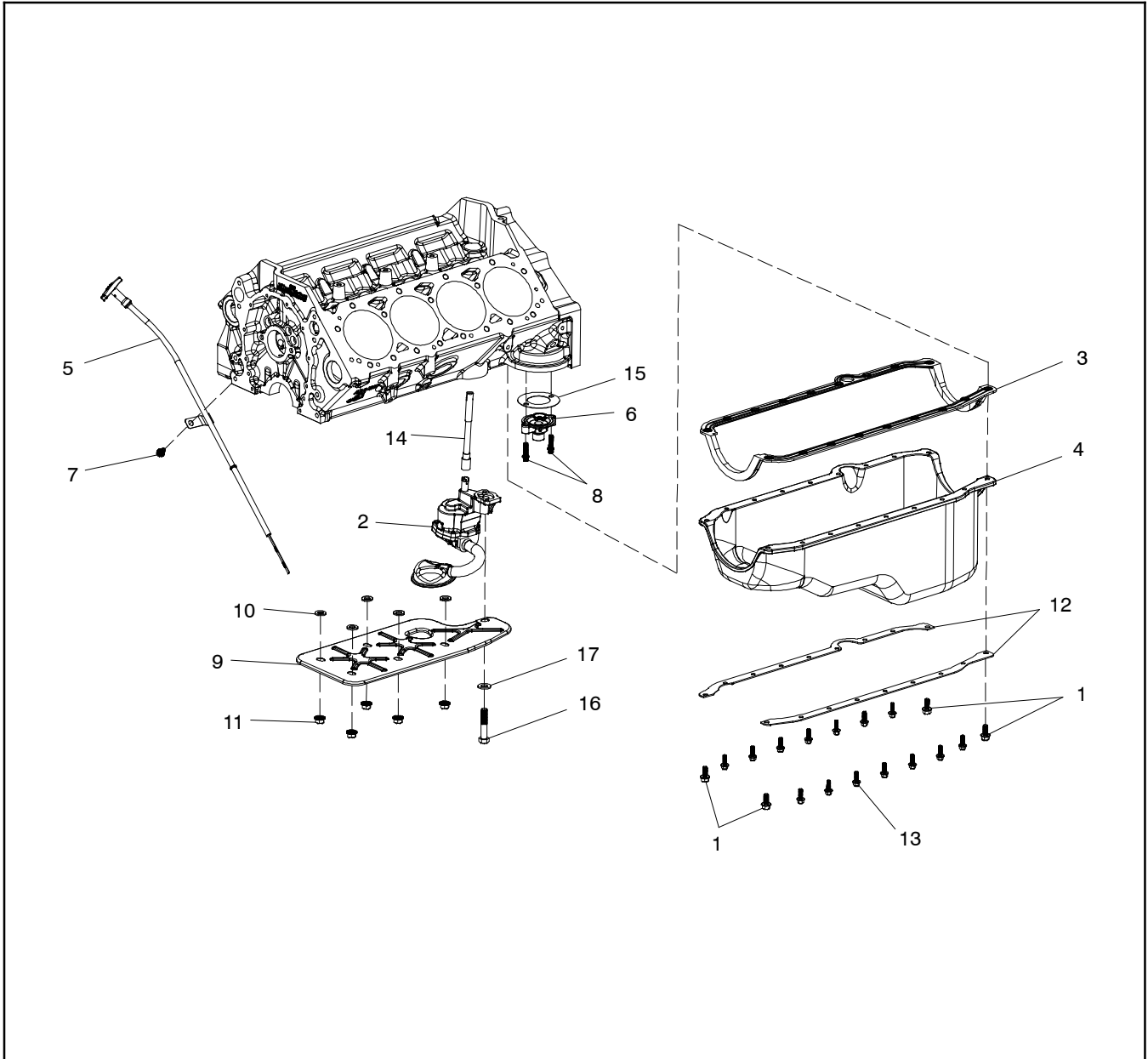
KG40-KG125, 48RCLB and 60RCLA



Item	Part No.	Description	Qty.
1	GM105083	Timing Cover	1
2	GM105082	Gasket, Timing Cover	1
3	GM105108	Timing Set (For KG40- KG60, 48RCLB and 60RCLA)	1
3	GM107513	Timing Set (For KG80)	1
4	GM105059	Reluctor Wheel, 58x	1
5	GM105071	Crank Position Sensor	1
6	GM105084	Front Seal	1
7	GM105075	Bolt, HFH 1/4- 20 x 1.25, GR8	8
8	GM105078	Bolt, HFH 5/16- 18 x .75	3
9	-	Bolt, HFH, M6- 1.0 x 16 mm (included with sensor)	1

6: Lubrication System

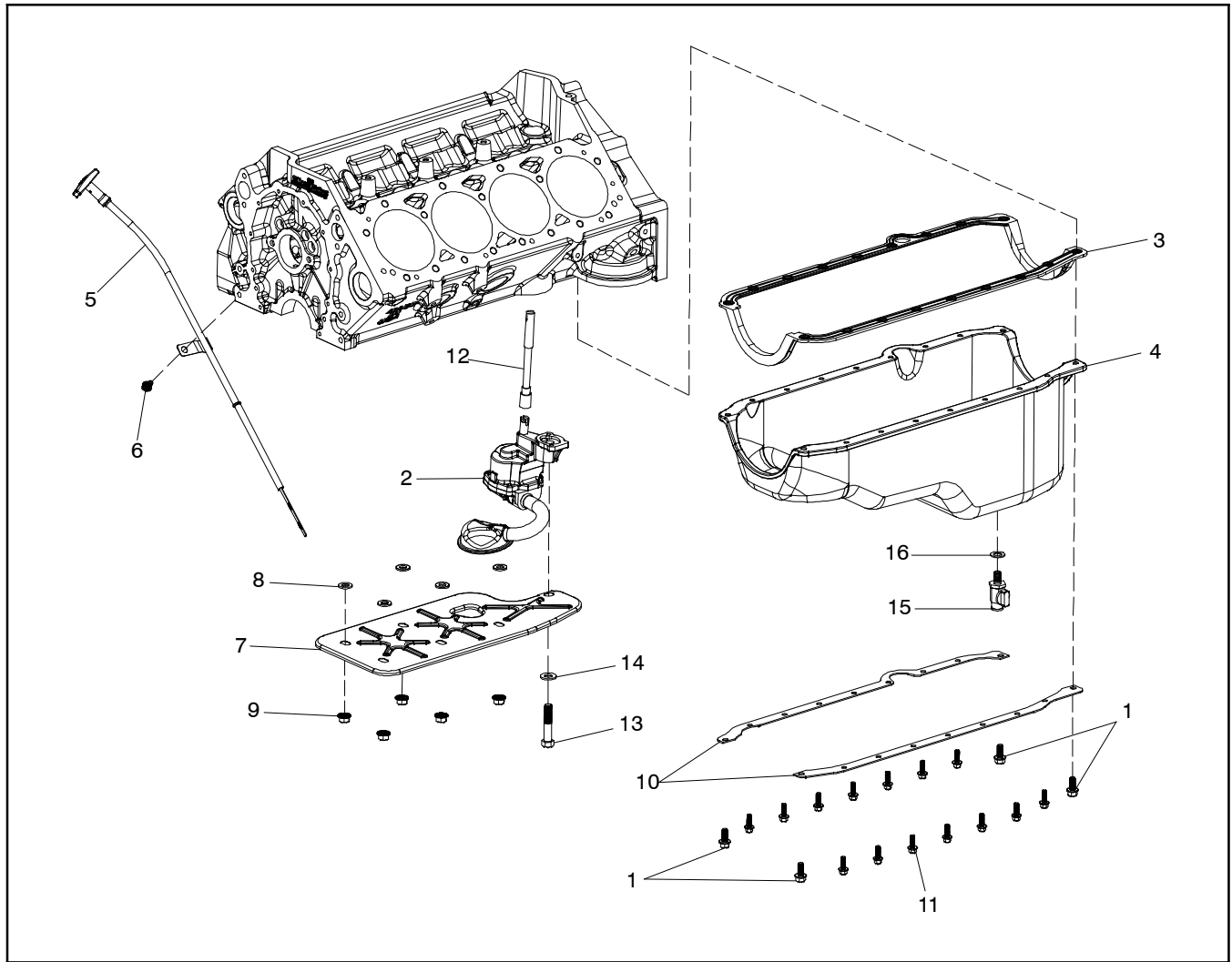
KG40-KG60, 48RCLB and 60RCLA



Item	Part No.	Description	Qty.
1	GM105078	Bolt, HFH 5/16- 18 x .75	4
2	GM105118	Oil Pump Assembly, With Pickup Tube	1
3	GM105119	Gasket, Oil Pan, One Piece	1
4	GM105065	Oil Pan, W/Drain Plug	1
5	GM105117	Dipstick and Tube Assembly	1
6	GM105087	Adapter, Oil Filter	1
7	GM105073	Bolt, HFH, 1/4- 20 x .50, WHZ	1
8	GM105098	Bolt, 12 PNT, 5/16- 18 x 1.00	2
9	GM105064	Long Windage Tray	1
10	GM105100	Washer, Flat, 10 mm	5
11	GM105865	Nut, Hex, Flange, 3/8- 16, Swrated	5
12	GM105116	Rails, Reinforcement, Oil Pan (1 Set)	1
13	GM105074	Bolt, HFH, 1/4- 20 x .75, ZP	14
14	GM105046	Shaft, Intermediate Drive, Oil Pump	1
15	GM105066	Gasket, Oil Filter Adaptor	1
16	GM105243	Bolt, 7/16- 14 x 2.25 GR8	1
17	GM105050	Washer, 7/16, Black Oxide, Hardened	1

6: Lubrication System, continued

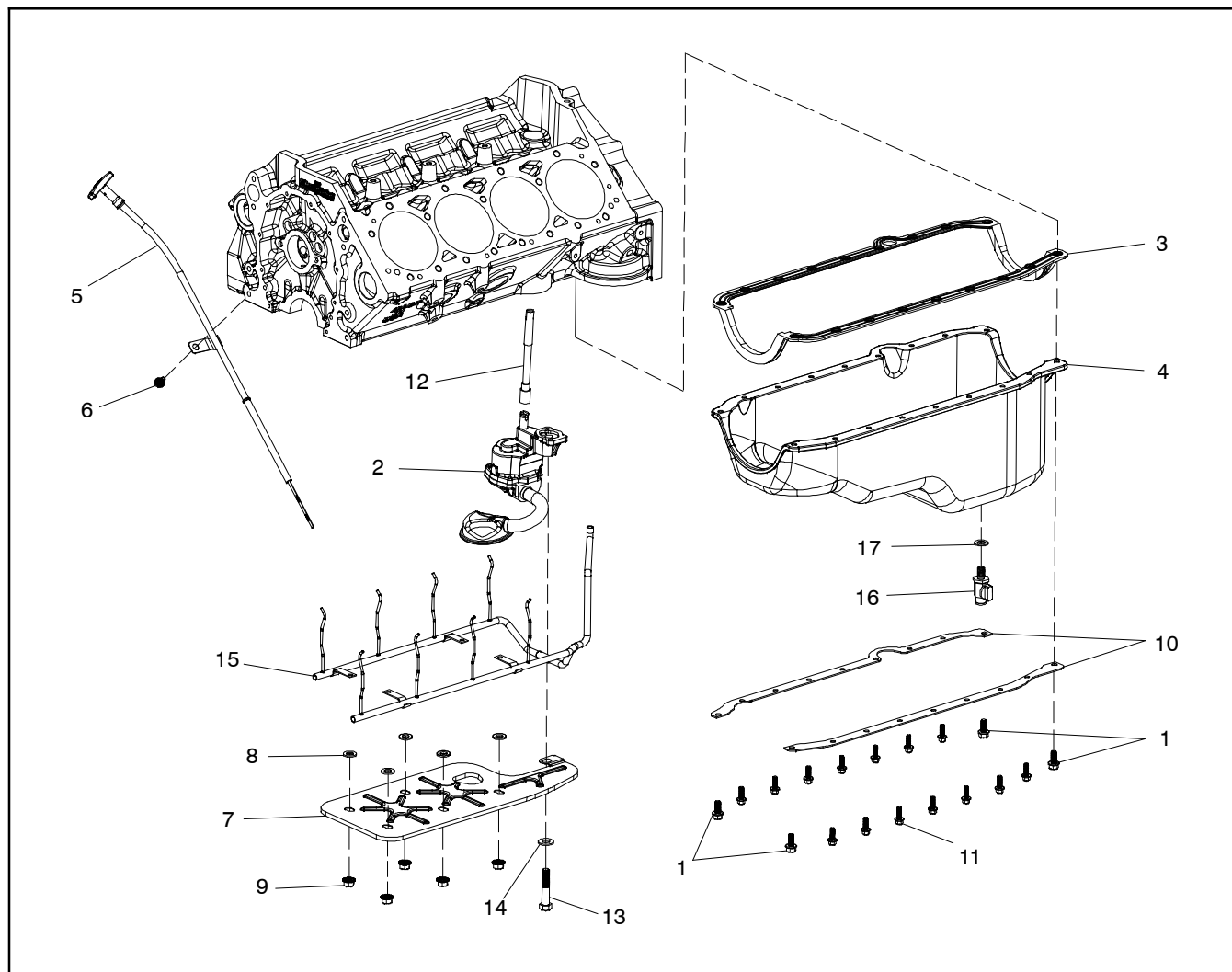
KG80



Item	Part No.	Description	Qty.
1	GM105078	Bolt; HFH 5/16- 18 x .75	4
2	GM105118	Oil Pump Assembly; with Pickup Tube	1
3	GM105119	Gasket; Oil Pan, One Piece	1
4	GM105065	Oil Pan; With Drain Plug	1
5	GM105117	Dipstick & Tube Assembly	1
6	GM105073	Bolt; HFH, 1/4- 20 x .50, WHZ	1
7	GM105064	Windage Tray	1
8	GM105100	Washer; Flat, 10 mm	5
9	GM107527	Nut; Hex, Flange, 3/8- 16, Serated	5
10	GM105116	Rails; Reinforcement, Oil Pan (1 Set) Blk	1
11	GM105074	Bolt; HFH, 1/4- 20 x .75, ZP	14
12	GM105046	Shaft; Intermediate Drive, Oil Pump	1
13	GM105243	Bolt; 7/16- 14 x 2.25, GR8	1
14	GM105050	Washer; 7/16, Black Oxide, Hardened	1
15	GM19299	Valve; Oil Drain, M12 x 1.75	1
16	X-6278-9	Washer; Nylon, .48 ID x .825 OD	1

6: Lubrication System, continued

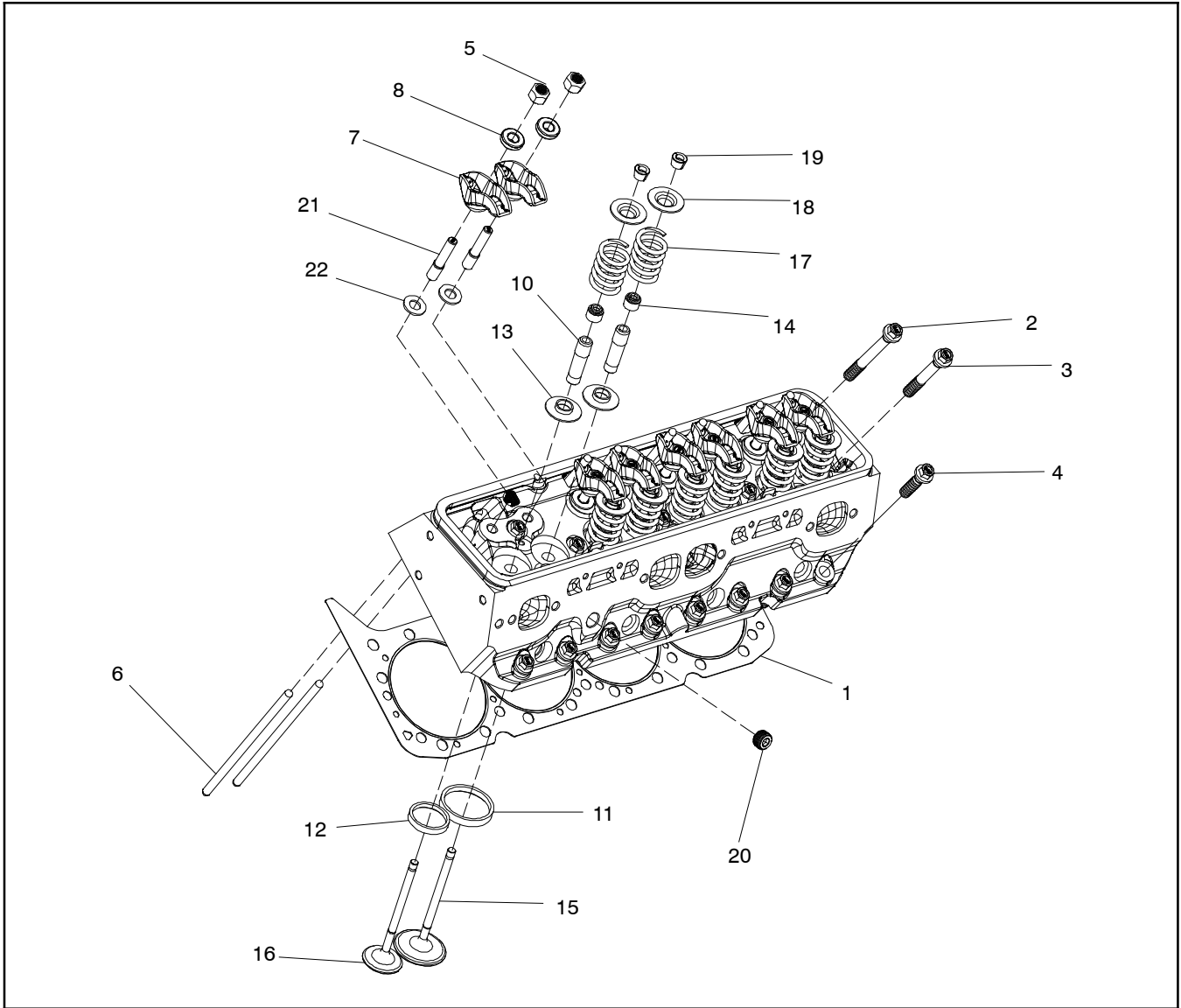
KG100- KG125



Item	Part No.	Description	Qty.
1	GM105078	Bolt; HFH 5/16- 18 x .75	4
2	GM111405	Oil Pump Assembly; with Pickup Tube	1
3	GM105119	Gasket; Oil Pan, One Piece	1
4	GM105065	Oil Pan; With Drain Plug	1
5	GM105117	Dipstick & Tube Assembly	1
6	GM105073	Bolt; HFH, 1/4- 20 x .50, WHZ	1
7	GM105064	Windage Tray	1
8	GM105100	Washer; Flat, 10 mm	5
9	GM107527	Nut; Hex, Flange, 3/8- 16, Serated	5
10	GM105116	Rails; Reinforcement, Oil Pan (1 Set) Blk	1
11	GM105074	Bolt; HFH, 1/4- 20 x .75, ZP	14
12	GM105046	Shaft; Intermediate Drive, Oil Pump	1
13	GM111406	Bolt; 7/16- 14 x 2.5, GR8	1
14	GM105050	Washer; 7/16, Black Oxide, Hardened	1
15	GM107508	Piston, Oiler	1
16	GM19299	Valve; Oil Drain, M12 x 1.75	1
17	X-6278-9	Washer; Nylon, .48 ID x .825 OD	1

7: Head and Valves

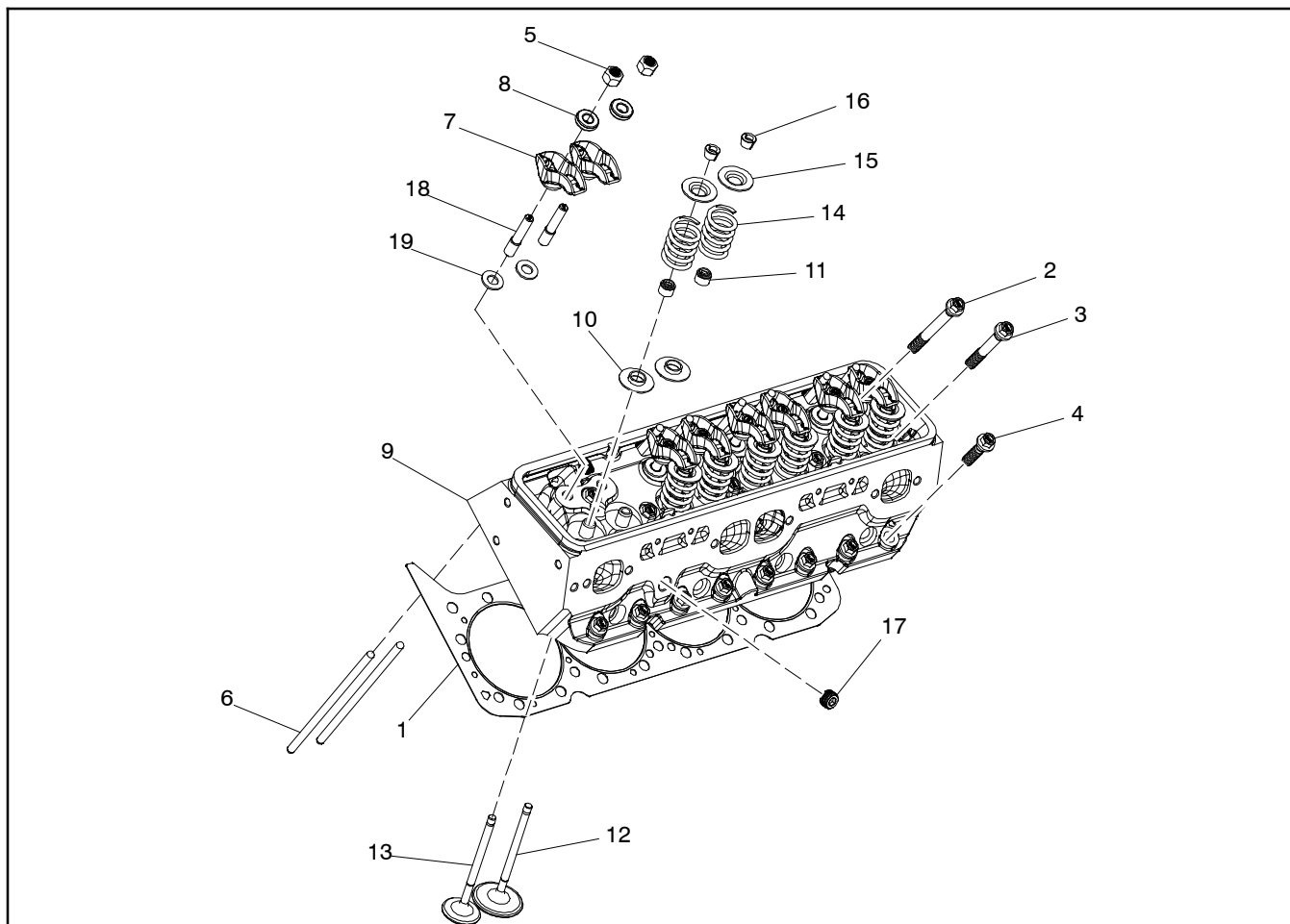
KG40-KG60, 48RCLB and 60RCLA



Item	Part No.	Description	Qty.
1	GM105112	Head Gasket	1
2	GM105101	Bolt, HFH, 7/16- 14 x 3.68, Cylinder Head	7
3	GM105096	Bolt, HFH, 7/16- 14 x 2.92, Cylinder Head	2
4	GM105102	Bolt, HFH, 7/16- 14 x 1.62, Cylinder Head	8
5	GM105095	Nut, Hex, Flange, 3/8- 16, Serated	8
6	GM111403	Push Rod	8
7	GM105107	Rocker Arm	8
8	GM105109	Rocker Ball	8
9	GM105045	Cylinder Head Assembly	1
10	GM105822	Valve guide	8
11	GM105823	Valve seat insert; intake	4
12	GM105824	Valve seat insert; exhaust	4
13	GM105131	Spring Locator	8
14	GM105134	Seal, Valve Stem	8
15	GM105128	Valve, Intake	4
16	GM105129	Valve, Exhaust	4
17	GM105133	Valve Spring	8
18	GM105132	Retainer, Valve Spring	8
19	GM105130	Valve Lock	16
20	GM105135	Pipe Plug, 3/8, Brass	1
21	GM105091	Stud, Rocker Arm	8
22	GM105050	Washer, 7/16, Black Oxide, Hardened	8

7: Head and Valves, continued

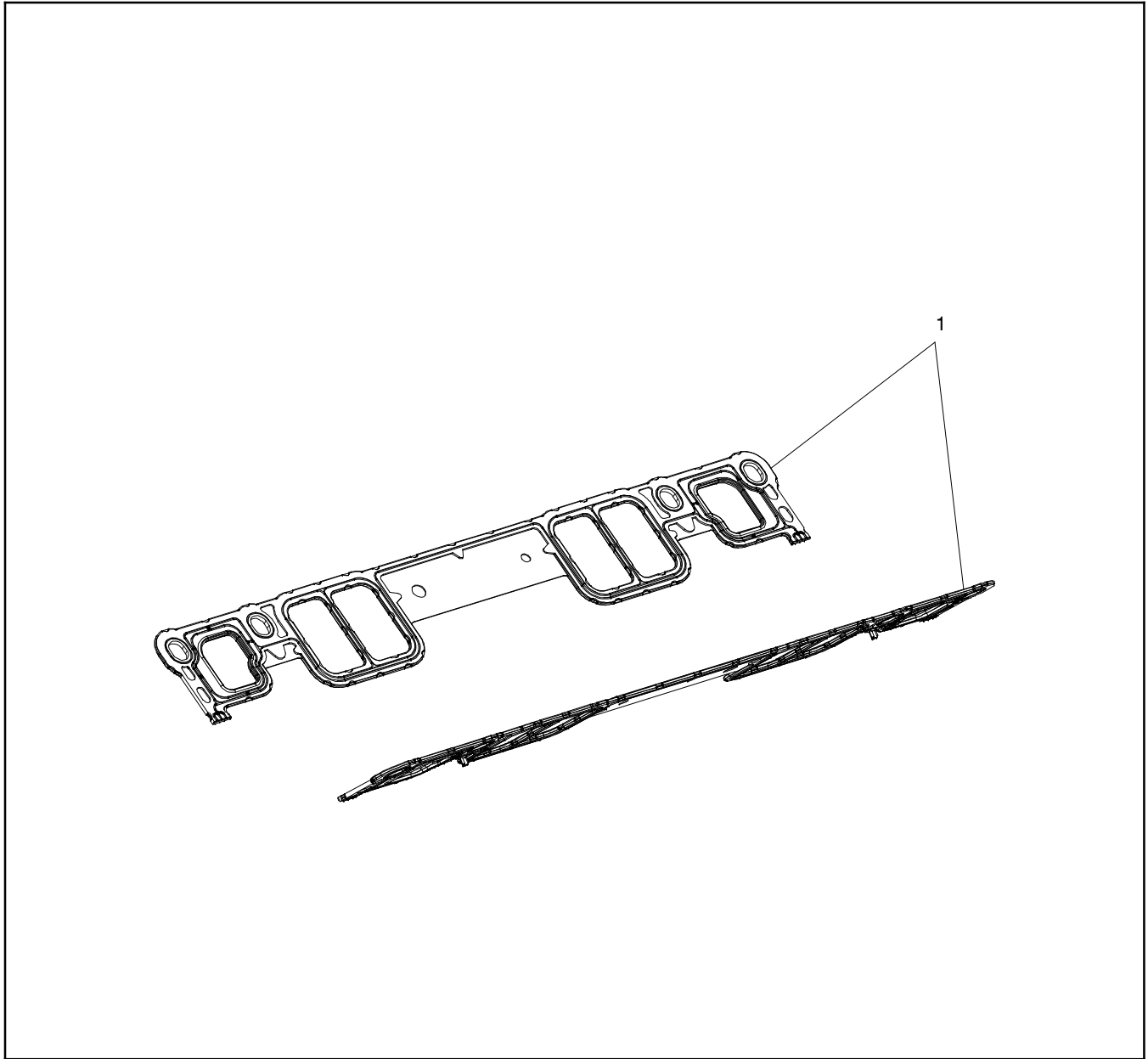
KG80- KG125



Item	Part No.	Description	Qty.	
			KG80	KG100/125
1	GM107532	Head Gasket	1	
1	GM107533	Head Gasket		1
2	GM105101	Bolt; HFH, 7/16- 14 x 3.68, Cylinder Head	7	7
3	GM105096	Bolt; HFH, 7/16- 14 x 2.92, Cylinder Head	2	2
4	GM105102	Bolt; HFH, 7/16- 14 x 1.62, Cylinder Head	8	8
5	GM105095	Rocker Nut	8	8
6	GM107530	Push Rod	8	
6	GM111403	Push Rod		8
7	GM105107	Rocker Arm	8	8
8	GM105109	Rocker Ball	8	8
9	GM107535	Cylinder Head Assembly	1	
9	GM111404	Cylinder Head Assembly		1
10	GM105131	Spring Locator	8	8
11	GM105134	Seal; Valve Stem	8	8
12	GM105128	Valve; Intake	4	4
13	GM105129	Valve; Exhaust	4	4
14	GM105133	Valve Spring	8	8
15	GM105132	Retainer; Valve Spring	8	8
16	GM105130	Valve Lock	16	16
17	GM105135	Pipe Plug; 3/8, Brass	1	1
18	GM105091	Stud; Rocker Arm	8	8
19	GM105050	Washer; 7/16, Black Oxide, Hardened	8	8

8: Intake Manifold

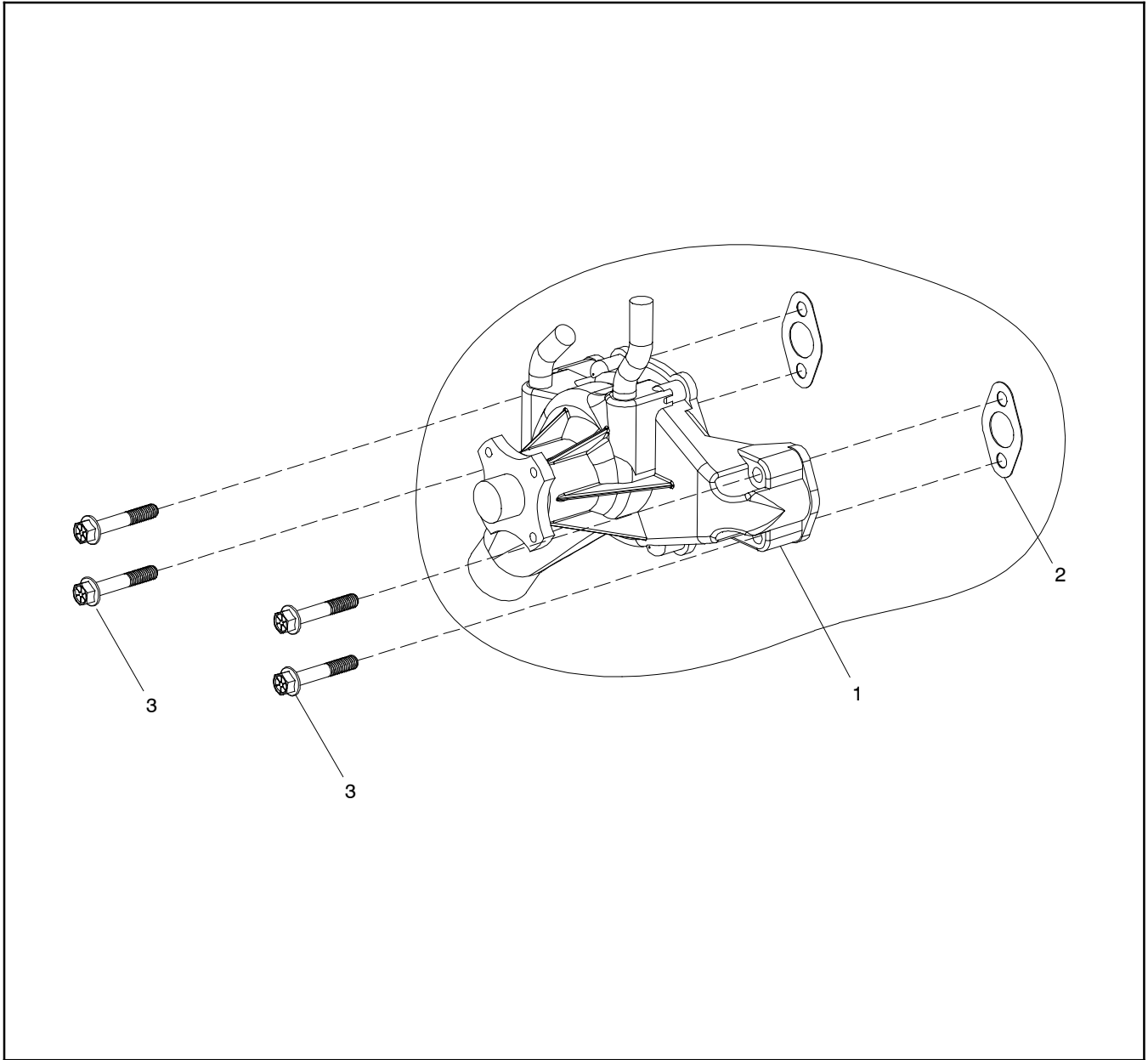
KG40-KG125, 48RCLB and 60RCLA



Item	Part No.	Description	Qty.
1	GM105110	Intake Gasket	2

9: Water Pump

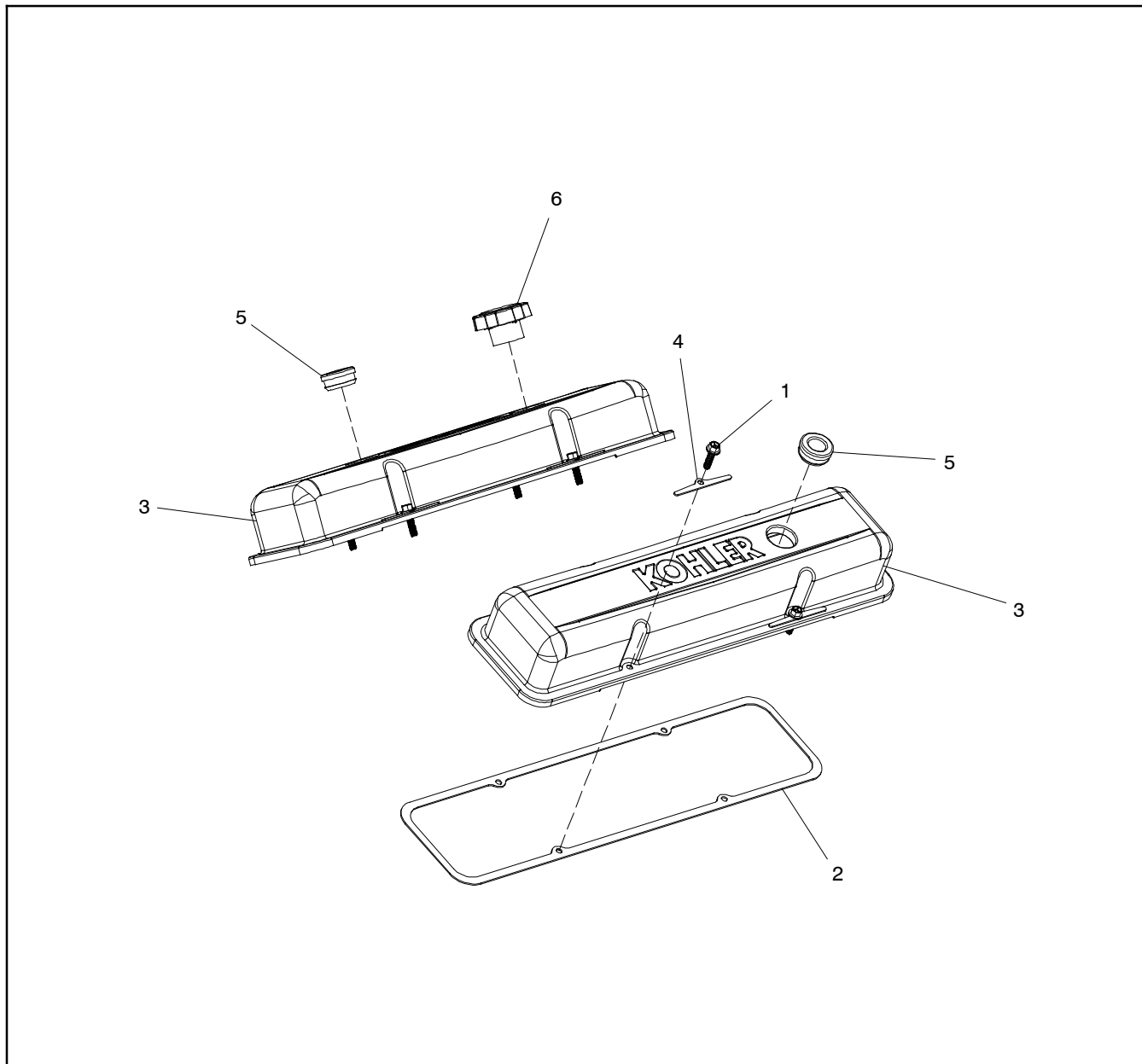
KG40-KG125, 48RCLB and 60RCLA



Item	Part No.	Description	Qty.
1	GM105068	Water Pump, W/ Gaskets	1
2	GM105125	Gasket, Water Pump	2
3	GM105121	Bolt, HFH, 3/8- 16 x 2.25	4

10: Valve Covers

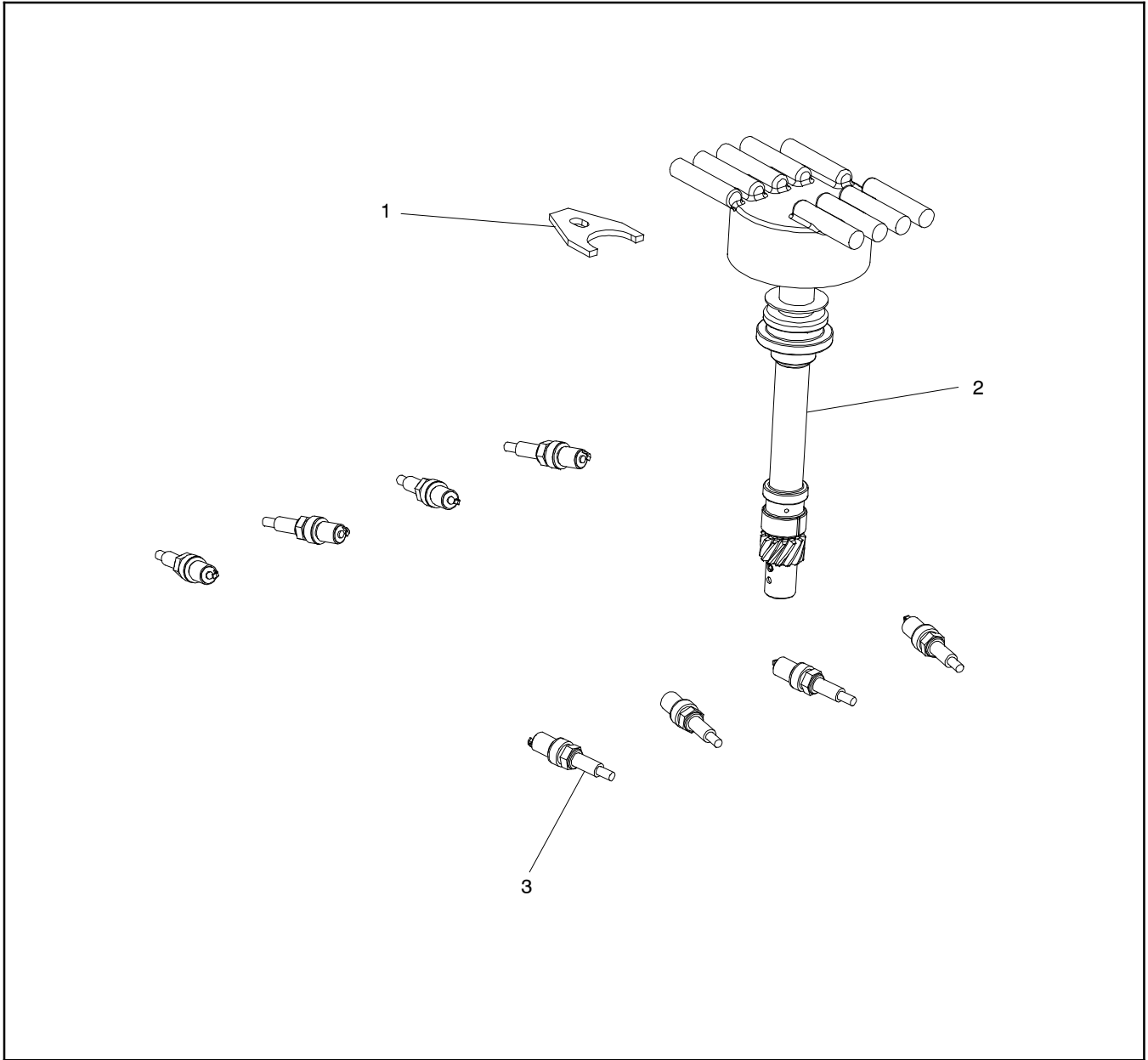
KG40-KG125, 48RCLB and 60RCLA



Item	Part No.	Description	Qty.
1	GM105127	Bolt, HFH, 1/4- 20 x .75 ZP	8
2	GM105114	Gasket, Valve Cover	2
3	GM105052	Valve Cover, Set	1
4	GM105053	Hold Down, Valve Cover	8
5	GM105092	Grommet, Valve Cover	2
6	GM105089	Oil Cap	1

11: Ignition System

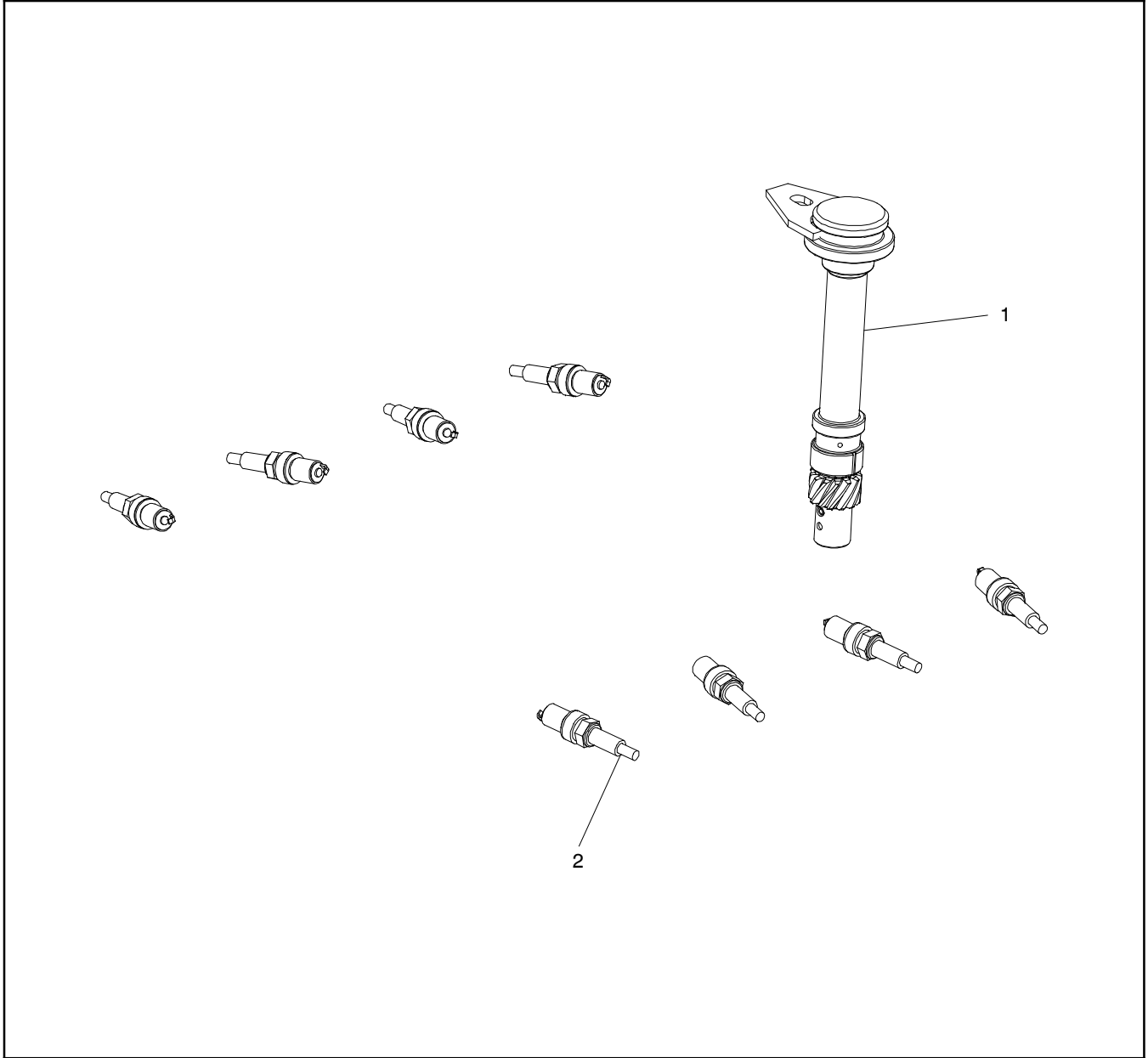
KG40-KG60, 48RCLB and 60RCLA



Item	Part No.	Description	Qty.
1	GM105072	Distributor Hold Down Clamp	1
2	GM105049	Distributor	1
3	GM105093	Spark Plug	8
4	GM16249	Distributor Cap (not shown)	1

11: Ignition System, continued

KG80- KG125



Item	Part No.	Description	Qty.
1	GM107524	Assembly; Oil Pump Drive	1
2	GM104391	Spark Plug	8

TP-7098 4/20c

© 2018 Kohler Co. All rights reserved.

KOHLER®

KOHLER CO., Kohler, Wisconsin 53044
Phone 920-457-4441, Fax 920-459-1646
For the nearest sales/service outlet in the
US and Canada, phone 1-800-544-2444
KOHLERPower.com